

# KOHLER® SERVICE PARTS

## BATH AND SHOWER FITTINGS

K-6900  
K-6908  
K-8225

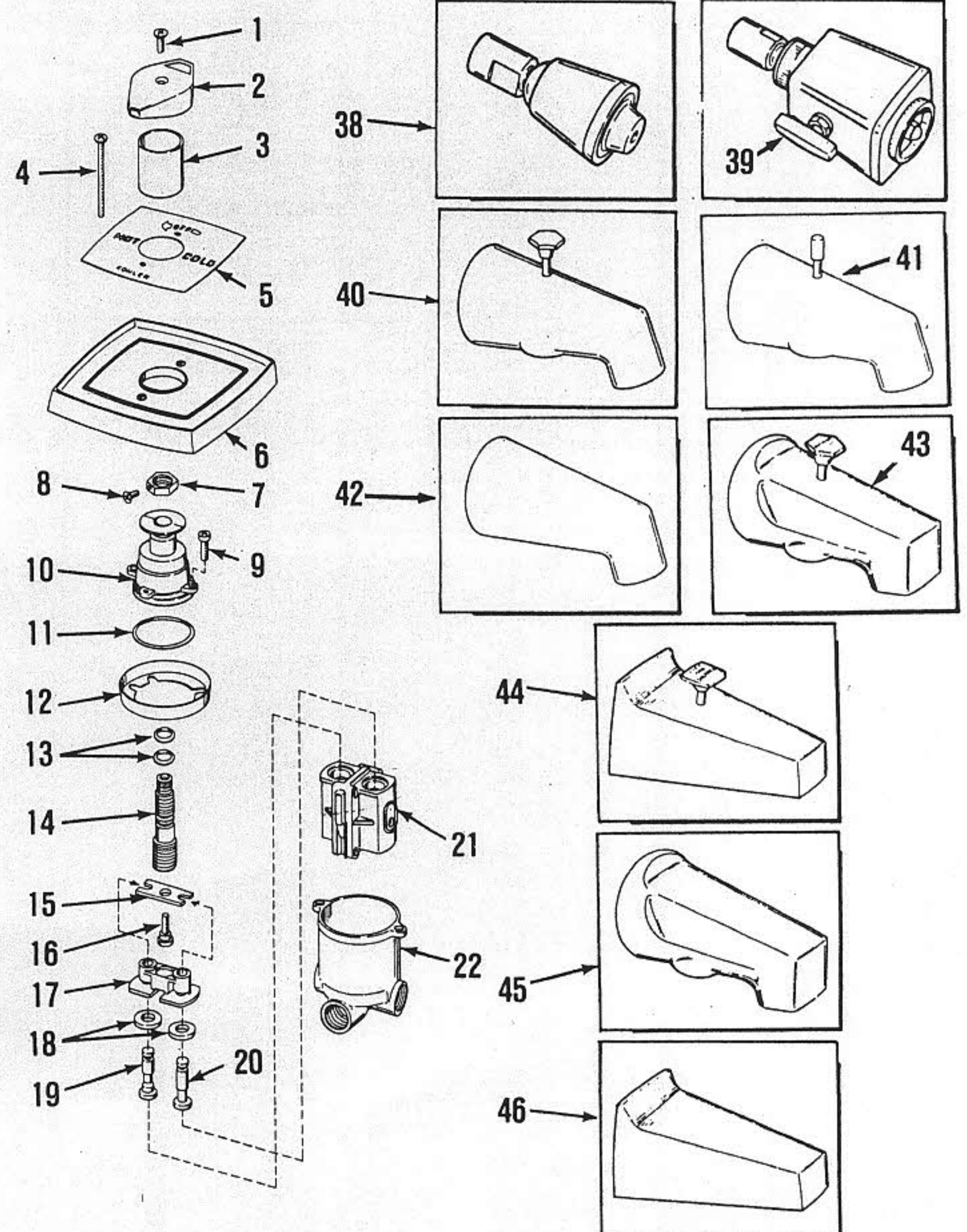
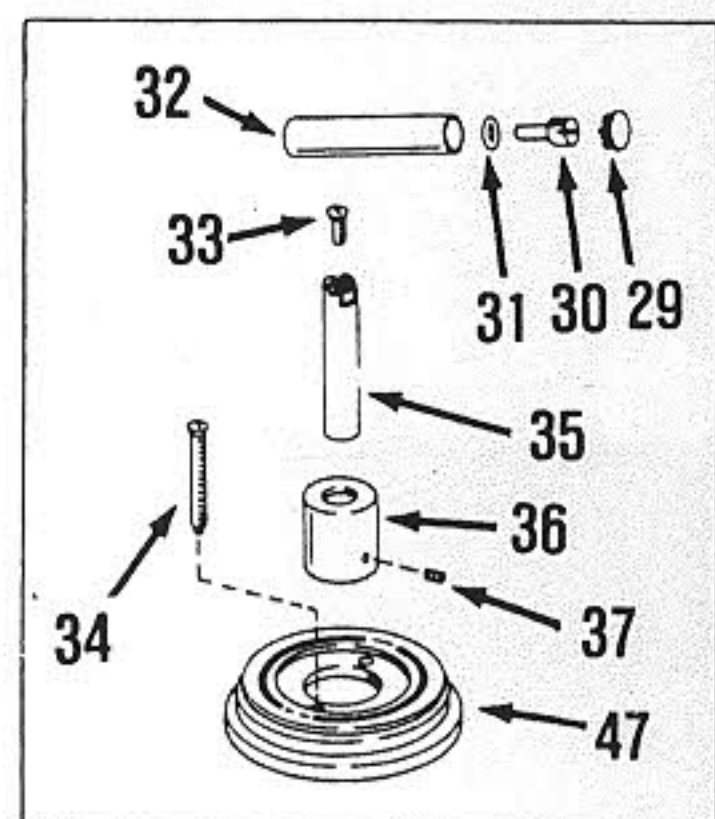
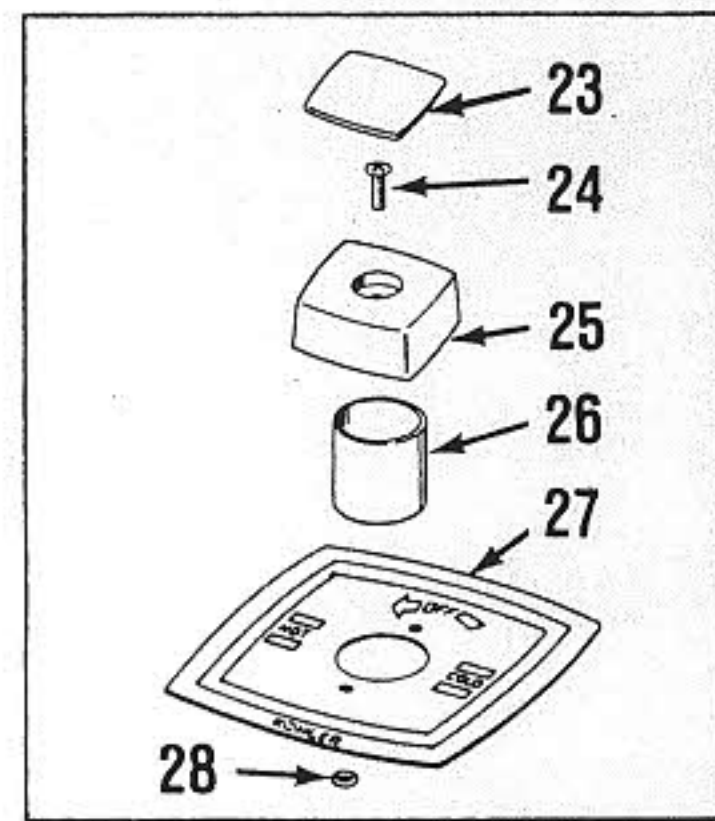
ALTRNA  
TRITON II  
TABORET™

RITE-TEMP™ PRESSURE BALANCED BATH AND SHOWER MIXING VALVE  
RITE-TEMP™ PRESSURE BALANCED BATH AND SHOWER MIXING VALVE  
RITE-TEMP™ PRESSURE BALANCED BATH AND SHOWER MIXING VALVE

ORDER BY KIT NUMBER OR PART NUMBER, NOT ITEM NUMBER OR KIT LETTER.

### Ordering Options

Item	Part No. or Kit
1	A
2	42053†
3	42052†
5	42055†
6	42051
7, 8, 9	B, H
10	42050, H
11	C, H
12	*
13	C, D, H
14, 15, 16	D, H
17	42033, H
18, 19, 20	C, H
21	30086
22	*
23	E
24, 28	A
25	29697†
26	42052
27	42054†
28	A
29 thru 32	F
33, 34	G
35	30751
36	30753
37	34453
38	K-7371†
39	K-7331†
40	38776†
41	500273†
42	38772†
43	41998†
44	29724†
45	41995†
46	29727†
47	30754†



### Kit Ordering Information

Kit	Kit Part No.	Kit Name	Kit Contents
A	30201	Screw Kit	2 ea., items 4 and 28; 1 ea., items 1 and 24
B	30202	Screw and Nut Kit	1 ea., items 7 and 8; 2 ea., item 9
C	30088	Valve Rebuilding Kit	1 ea., items 11, 13, 18, 19, and 20
D	42092	Spindle Kit	1 ea., items 13 thru 16
E	30634†	Index Cap Kit	1 ea., item 23
F	30750§	Handle Trim Kit	2 ea., items 29, 30, and 31; 1 ea., item 32
G	30752†	Screw Kit	1 ea., item 33; 2 ea., item 34
H	42092	Valve Rebuilding Kit (Major)	1 ea., items 7 thru 20

### KITS MAY INCLUDE EXTRA PARTS

#### NOTES:

Other Product Numbers Using Same Parts:  
 K-6902 K-6910 K-6913 K-8224 K-8227 K-8229  
 K-6908 K-6912 K-6914 K-8226 K-8228  
 \* Not available as a service part.  
 For stops see Page 7-25.

#### LEGEND:

† Specify finish.  
 ■ Parts further exploded in catalog; see INDEX.