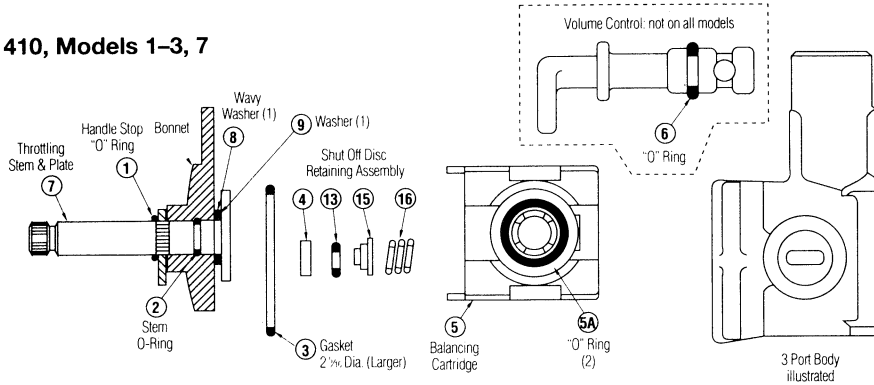


To order items on this page — full catalog number requires prefix

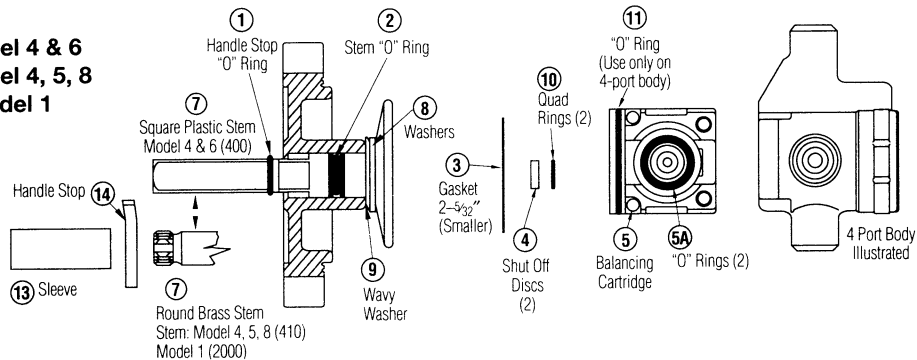
**Figure 5:**  
**Hydroguard 400 / 410, Models 1-3, 7**



Troubleshooting		Repair Kit No.	Where Used	Repair Kit Includes (Numbers below correspond with numbers in Figure 5 above)
1. Water leak at stem and/or bonnet. 2. Flow continues after mixer is turned off.	Gasket and Disc Replacement	410-182	400 / 410 All Models	1-4, 5A, 6 ** (See note below)
1. Variable or untempered discharge temperature. 2. Leakage after mixed is turned off.	Balance Chamber	410-183	400: Models 1-3 410: Models 1-3, 7 Metal and Plastic Bonnet	3-5, 5A, 13, 15, 16 ** (See, Note below)
1. Flow continues after mixer is turned off. 2. Handle splines on stem damaged.	Stem and Plate Replacement	410-378	400: Models 1-3 410: All Models	1-4, 7-9 Item 7 has brass stem and Celcon Plastic Stem (refer to figure 3)

\*\* Use O-ring only on Hydroguard 412 / 414. Others use gasket.

**Figure 6**  
**Hydroguard 400... Model 4 & 6**  
**Hydroguard 410... Model 4, 5, 8**  
**Hydroguard 2000... Model 1**



Troubleshooting		Repair Kit No.	Where Used	Repair Kit Includes (Numbers below correspond with numbers in Figure 6 above)
1. Water leak at stem and/or bonnet. 2. Flow continues after mixer is turned off.	Gasket and Disc Replacement	410-182	400, 410, and 2000 All Models	1-4, 5A, 10, 11 Use item 11 only in Models 4-6, 4-port body (see Note 1 below)
1. Variable or untempered discharge temperature. 2. Leakage after mixed is turned off.	Balance Chamber	401-175	400: Models 4-6 410: Models 4, 5 2000: Model 1	3-5, 5A, 10, 11 Use item 11 only in Models 4-6, 4-port body (see Note 1 below)
		410-183	410: Model 8	3-5, 5A, 13, 15, 16 (refer to figure 5)
1. Flow continues after mixer is turned off. 2. Handle splines on stem damaged.	Stem and Plate Replacement	401-176	400: Models 4-6	1-4, 7-9 Item 7 has square plastic stem and plate (see Note 2 below).
		410-378	410: All Models 2000: All Models	1-4, 7-9 Item 7 has round brass stem and plastic plate (refer to Figure 4)

For parts not covered above, refer to Technical Instruction Form MV400-4, MV410-4 or MV410-5.

NOTE 1: O-ring, item 11, is used only in 4-port mixers.

NOTE 2: "C" on stem must face cold water inlet. For Model 4-400, you must also order new handle for new brass stem.

Order either lucite handle kit #410-383 or lever handle kit #410-384.