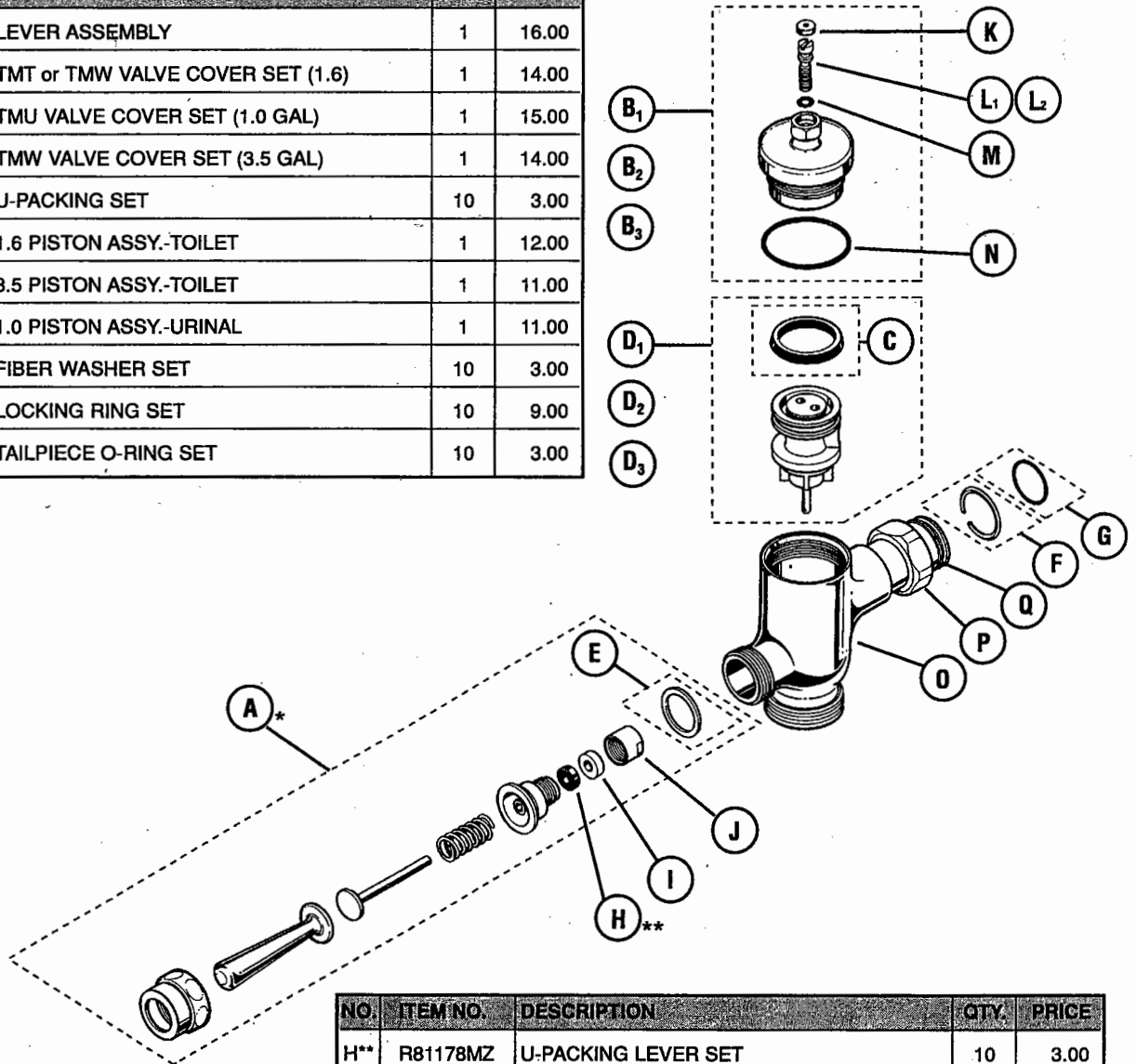


Models: TMT1HNC TMW1HNC TMU1HNC

NO.	ITEM NO.	DESCRIPTION	QTY.	PRICE
A*	R23007W	LEVER ASSEMBLY	1	16.00
B1	R15187MZ	TMT or TMW VALVE COVER SET (1.6)	1	14.00
B2	R15187MZ-1	TMU VALVE COVER SET (1.0 GAL)	1	15.00
B3	R15187MZ-2	TMW VALVE COVER SET (3.5 GAL)	1	14.00
C	R81019MZ	U-PACKING SET	10	3.00
D1	R15185W	1.6 PISTON ASSY.-TOILET	1	12.00
D2	R15186W	3.5 PISTON ASSY.-TOILET	1	11.00
D3	R15186W	1.0 PISTON ASSY.-URINAL	1	11.00
E	R81233MZ	FIBER WASHER SET	10	3.00
F	R65020MZ	LOCKING RING SET	10	9.00
G	R81144MZ	TAILPIECE O-RING SET	10	3.00



NO.	ITEM NO.	DESCRIPTION	QTY.	PRICE
H**	R81178MZ	U-PACKING LEVER SET	10	3.00
I	R91112MZ	GUIDE RING SET	10	3.00
J	R23024MZ	GUIDE RING STOPPER SET	10	14.00
K	R23049	SCREW CAP	1	4.00
L1	R31057MZ	ADJUSTMENT SCREW (URINAL)	10	14.00
L2	R31005-1MZ	ADJUSTMENT SCREW (TOILET)	10	14.00
M	R81021MZ	O-RING (SCREW)	10	3.00
N	R81020MZ	O-RING (COVER)	10	3.00
O	R11149W-2	VALVE BODY	1	40.00
P	R22067	NUT	1	5.00
Q	R14084-1	TAIL PIECE	1	10.00

Notes:

*Effective Fall 2000, R23007W will be replaced with R32004MS-1

**Effective Fall 2000, R81178MZ will be replaced with R81442MZ