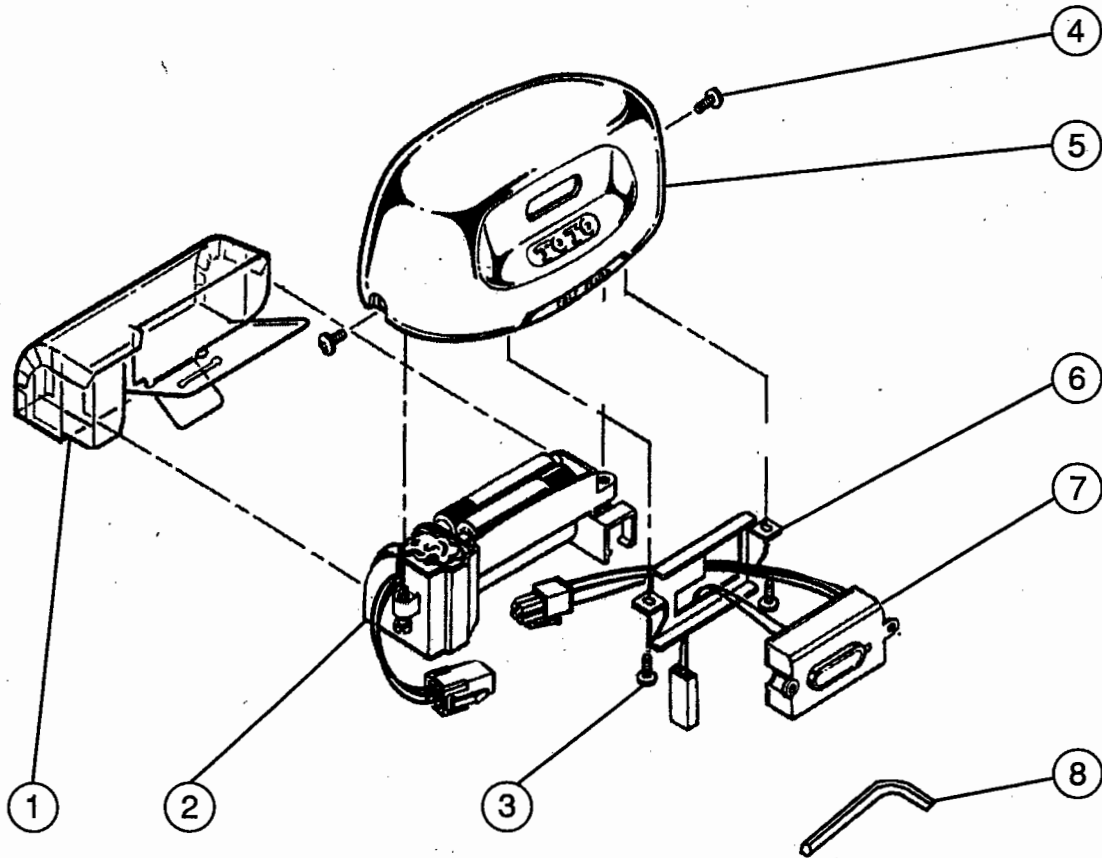


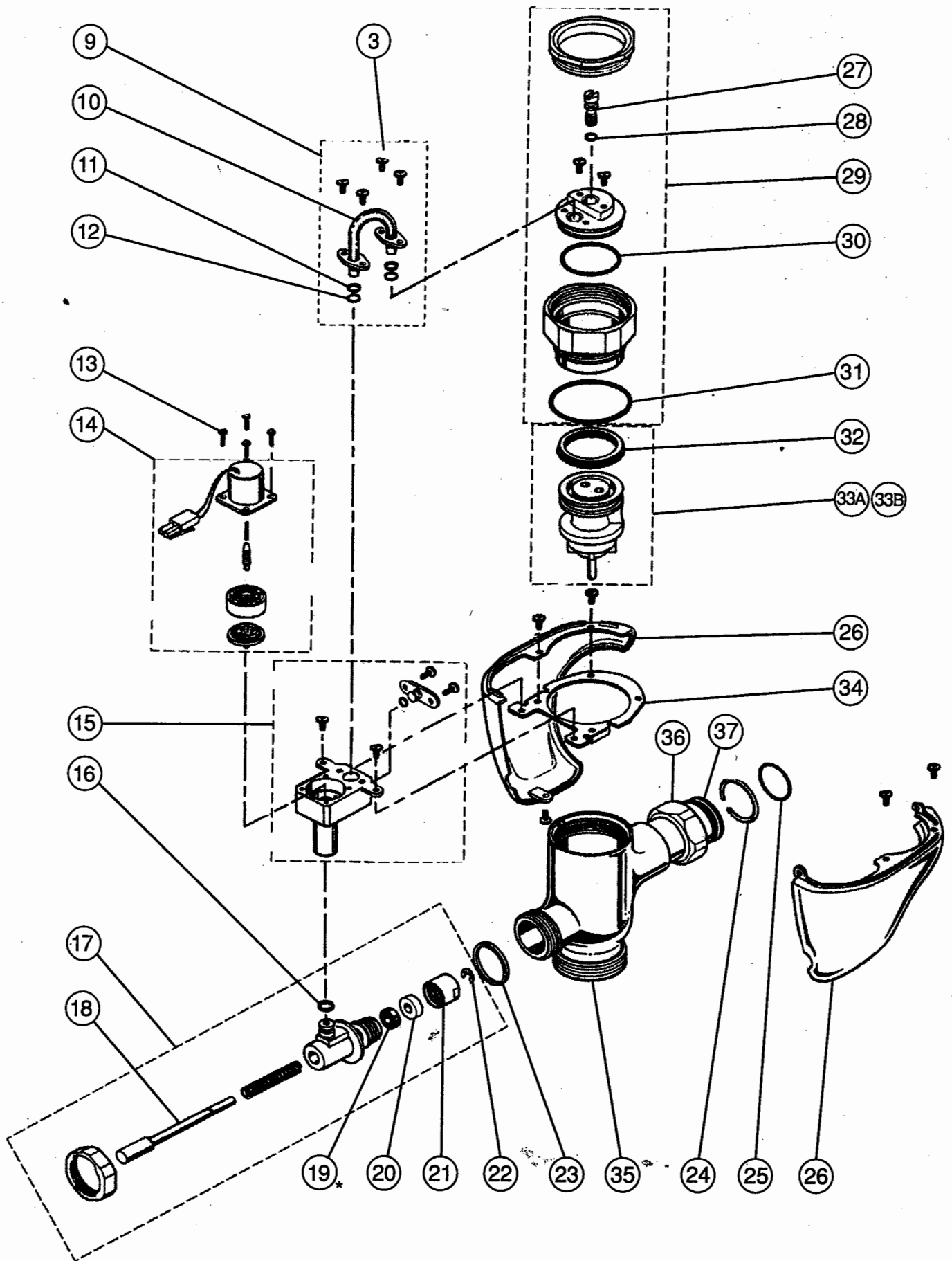
TOTO SENSOR FLUSHOMETER VALVE PARTS LIST FOR MODELS: TET1DNC (1.6GPF/6.0LPF) & TEW1DNC (3.5GPF/13.0LPF)



MODELS: TET1DNC & TEW1DNC

NO.	ITEM NO.	DESCRIPTION	QTY.	PRICE
1	H660101	BATTERY CASE COVER	1	9.00
2	H660201	BATTERY CASE ASSEMBLY	1	30.00
3	H660301	8-32 UNC X 1/4" PHIL PAN HEAD SCREW SET (430 SS)	20	5.00
4	H660401	8-32 UNC X 3/8" HEX SOCKET CAP SCREW (304 SS)	10	5.00
5	H660501	TOP COVER (DC TYPE)	1	34.00
6	H660601	SENSOR BRACKET	1	6.00
7	VCA10A	SENSOR CONTROLLER (DC1.6/3.5GPF)-TOILET	1	92.00
8*	3/32"	ALLEN WRENCH	NA	NA

*Note: This is a standard replacement part in the market and unavailable through TOTO USA, INC.



MODELS: TET1DNC & TEW1DNC

NO.	ITEM NO.	DESCRIPTION	QTY	PRICE
9	H660701	COPPER TUBE SUB-ASSY. W/PACKING	1	11.00
10	H662301	COPPER TUBE	1	6.00
11	H660801	BACK-UP RING SET	10	6.00
12	H660901	O-RING SET (TUBE ASSY.)	10	4.00
13	H661001	DOUBLE SEMS SCREW SET #4-40	10	7.00
14	VCA503A	SOLENOID UNIT & DIAPHRAGM ASSY.	1	28.00
15	H661101	SOLENOID VALVE SEAT ASSY.	1	23.00
16	H661201	O-RING SET (PLUNGER GUIDE)	10	4.00
17	H661301	PUSH BUTTON ASSY. (FOR TOILET)	1	21.00
18	H661501	PUSH BUTTON	1	7.00
*19	R81178MZ	GASKET SET (U-PACKING)	10	3.00
20	R91112MZ	GUIDE RING SET	10	3.00
21	R23024MZ	GUIDE RING STOPPER SET	10	14.00
22	H661601	E-RING (RETAINING RING) SET	10	7.00
23	H661701	GASKET (PLUNGER GUIDE) SET	10	8.00
24	R65020MZ	LOCKING RING SET	10	9.00
25	R81144MZ	O-RING SET (TAILPIECE)	10	3.00
26	H661801	LOWER TOILET COVER SET (FRONT & REAR)	1	58.00
27	R31057MZ	CAP ADJUSTMENT SCREW SET	10	14.00
28	R81021MZ	O-RING SET (CAP SCREW)	10	3.00
29	H662001	VALVE CAP ASSEMBLY	1	30.00
30	H662101	O-RING SET (VALVE CAP)	10	7.00
31	R81020MZ	O-RING SET (VALVE GUIDE)	10	3.00
32	R81019MZ	U-PACKING SET (FOR PISTON)	10	3.00
33A	R15185W	PISTON ASSY. (1.6GPF)	1	12.00
33B	R15186W	PISTON ASSY. (3.5GPF)	1	11.00
34	H662201	PLATE	1	9.00
35	R11149W-1	VALVE BODY (EFV)	1	40.00
36	R22067	NUT	1	5.00
37	R14084-1	TAIL PIECE	1	10.00

Note: *Effective Fall 2000, R81178MZ will be replaced with R81442MZ