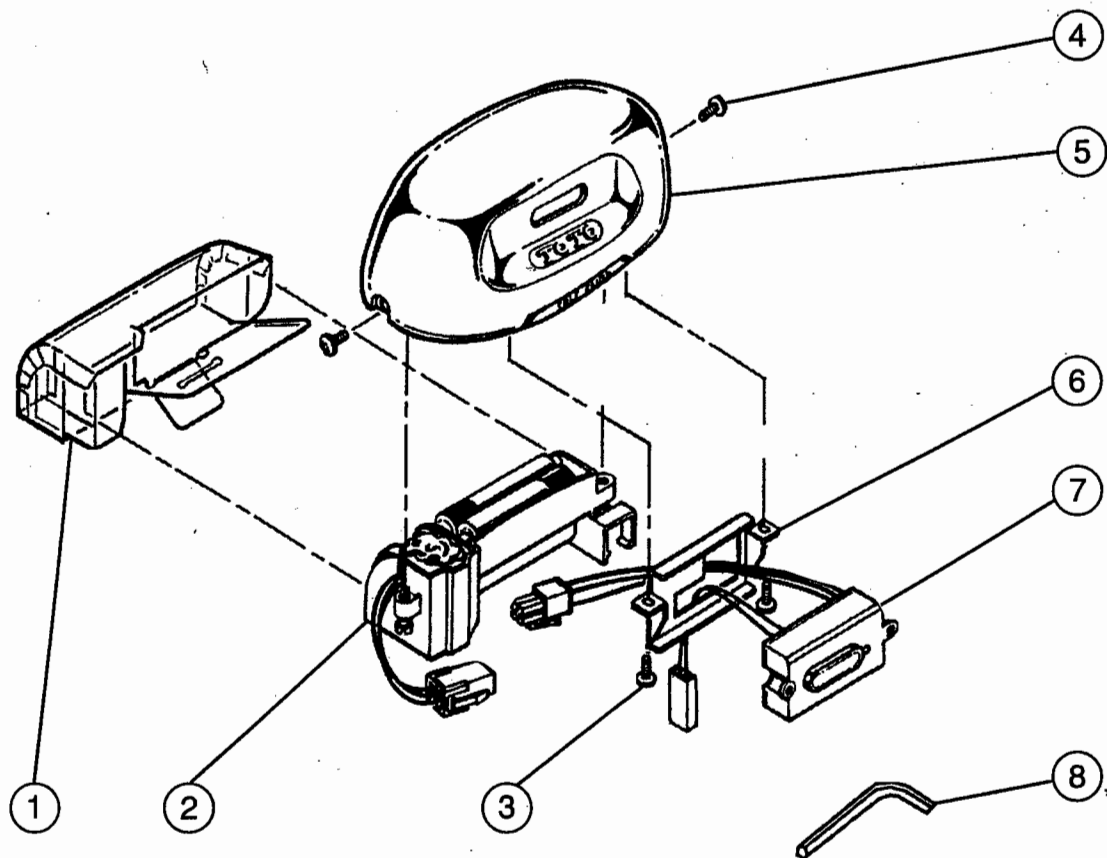


# TOTO SENSOR FLUSHOMETER VALVE PARTS LIST

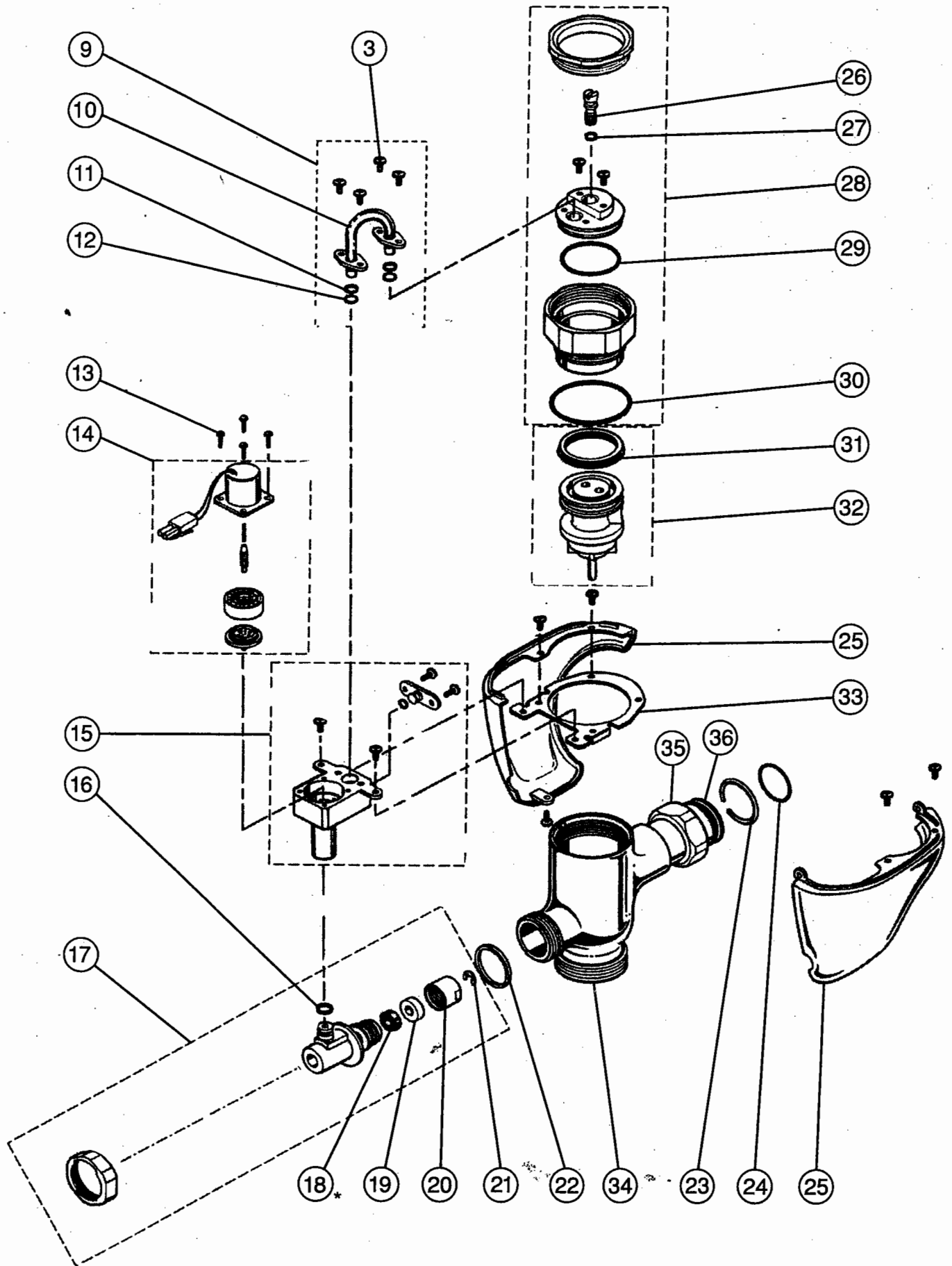
## FOR MODEL: TEU1DNC (1.0GPF/3.8LPF)



### MODEL: TEU1DNC

NO.	ITEM NO.	DESCRIPTION	QTY.	PRICE
1	H660101	BATTERY CASE COVER	1	9.00
2	H660201	BATTERY CASE ASSEMBLY	1	30.00
3	H660301	8-32 UNC X 1/4" PHIL PAN HEAD SCREW SET (430 SS)	20	5.00
4	H660401	8-32 UNC X 3/8" HEX SOCKET CAP SCREW (304 SS)	10	5.00
5	H660501	TOP COVER (DC TYPE)	1	34.00
6	H660601	SENSOR BRACKET	1	6.00
7	VCA9A	SENSOR CONTROLLER (DC1.6/3.5GPF)-TOILET	1	92.00
8*	3/32"	ALLEN WRENCH	NA	NA

\*Note: This is a standard replacement part in the market and unavailable through TOTO USA, INC.



# MODEL: TEU1DNC

NO.	ITEM NO.	DESCRIPTION	QTY.	PRICE
9	H660701	COPPER TUBE SUB-ASSY. W/PACKING	1	11.00
10	H662301	COPPER TUBE	1	6.00
11	H660801	BACK-UP RING SET	10	6.00
12	H660901	O-RING SET (TUBE ASSY.)	10	4.00
13	H661001	DOUBLE SEMS SCREW SET #4-40	10	7.00
14	VCA503A	SOLENOID UNIT & DIAPHRAGM ASSY.	1	28.00
15	H661101	SOLENOID VALVE SEAT ASSY.	1	23.00
16	H661201	O-RING SET (PLUNGER GUIDE)	10	4.00
17	H661401	PUSH BUTTON ASSY. (FOR URINAL)	1	14.00
*18	R81178MZ	GASKET SET (U-PACKING)	10	3.00
19	R91112MZ	GUIDE RING SET	10	3.00
20	R23024MZ	GUIDE RING STOPPER SET	10	14.00
21	H661601	E-RING (RETAINING RING) SET	10	7.00
22	H661701	GASKET (PLUNGER GUIDE) SET	10	8.00
23	R65020MZ	LOCKING RING SET	10	9.00
24	R81144MZ	O-RING SET (TAILPIECE)	10	3.00
25	H661901	LOWER URINAL COVER SET (FRONT & REAR)	1	58.00
26	R31057MZ	CAP ADJUSTMENT SCREW SET	10	14.00
27	R81021MZ	O-RING SET (CAP SCREW)	10	3.00
28	H662001	VALVE CAP ASSEMBLY	1	30.00
29	H662101	O-RING SET (VALVE CAP)	10	7.00
30	R81020MZ	O-RING SET (VALVE GUIDE)	10	3.00
31	R81019MZ	U-PACKING SET (FOR PISTON)	10	3.00
32	R15186W	PISTON ASSY. (1.0GPF)	1	11.00
33	H662201	PLATE	1	9.00
34	R11149W-1	VALVE BODY (EFV)	1	40.00
35	R22067	NUT	1	5.00
36	R14084-1	TAIL PIECE	1	10.00

**NOTE:**

\* Effective Fall 2000, R81178MZ will be replaced with R81442MZ