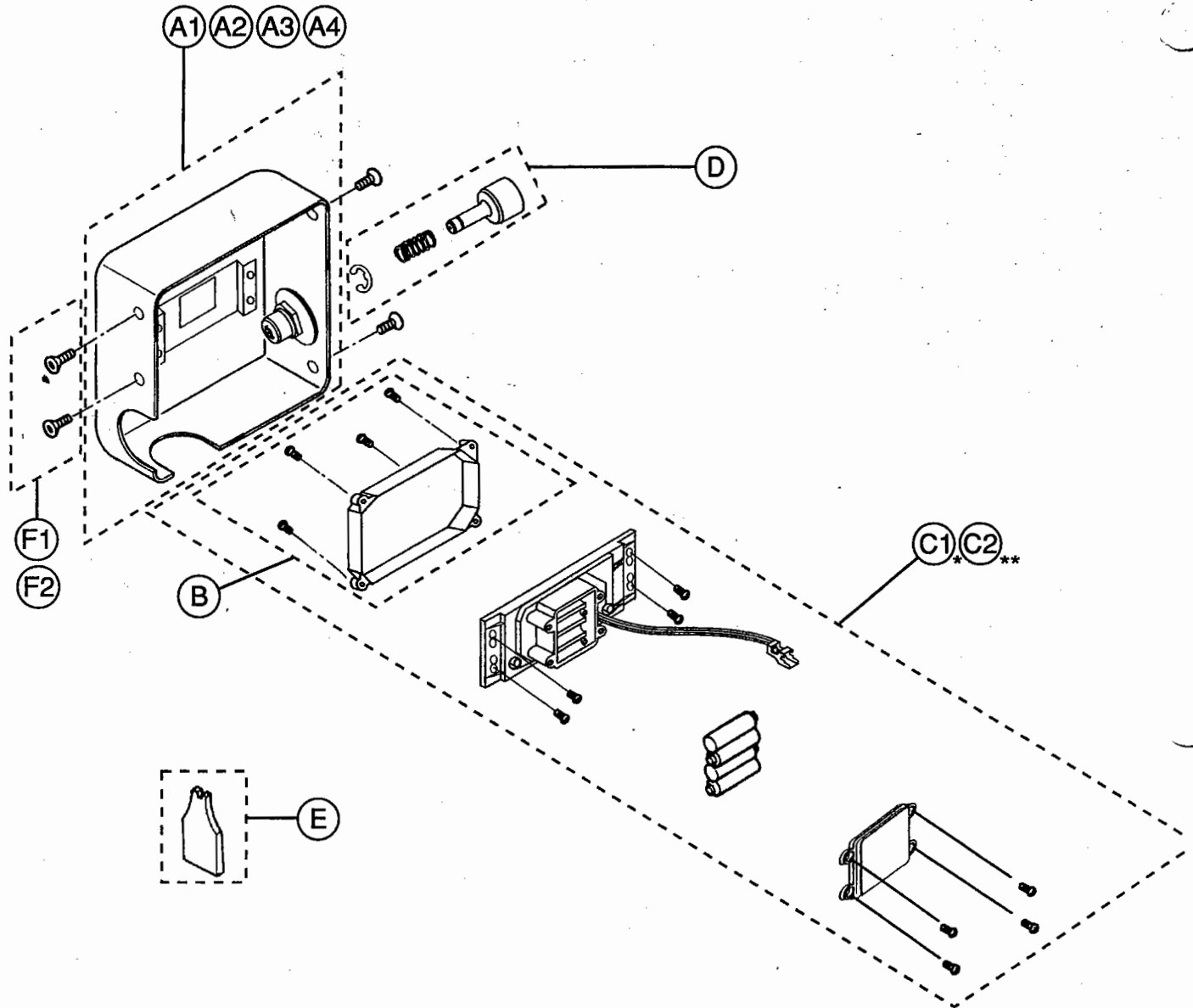


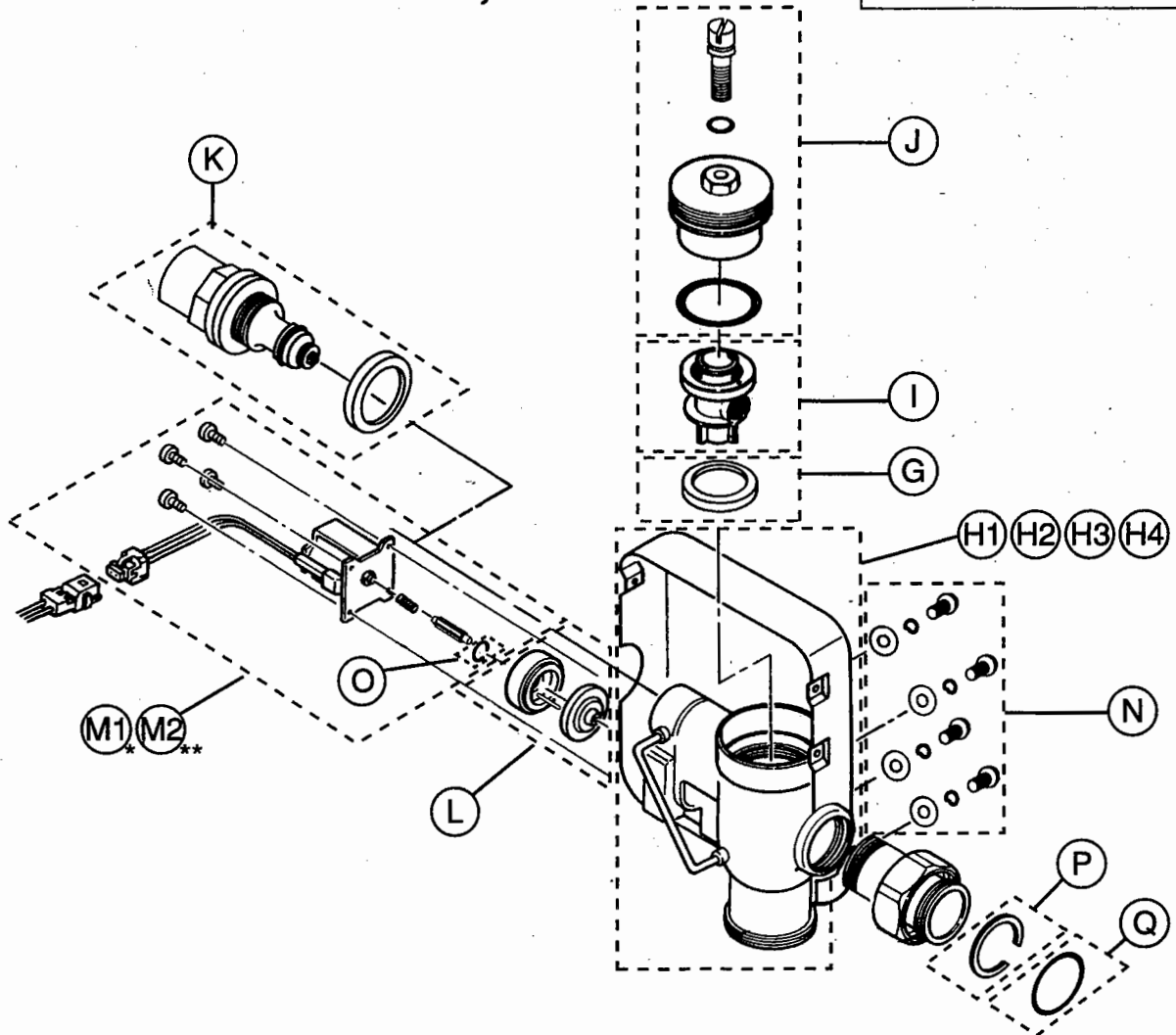
# MODELS: TET1D SERIES, TEW1D SERIES SENSOR PARTS



NO	ITEM NO.	DESCRIPTION	QTY.	PRICE
A1	71324T12RYM	FRONT COVER, RIGHT (WHITE)	1	131.00
A2	71324T13RYM	FRONT COVER, LEFT (WHITE)	1	131.00
A3	71324T12RHL	FRONT COVER, RIGHT (STAINLESS)	1	147.00
A4	71324T13RHL	FRONT COVER, LEFT (STAINLESS)	1	147.00
B	TH559EDV21	SENSOR COVER SET	1	34.00
C1*	58074T4R	SENSOR UNIT FOR "AA" BATTERY VALVES ONLY	1	233.00
C2**	TH559EDV41	SENSOR UNIT FOR LITHIUM BATTERY VALVES ONLY	1	284.00
D	TH559EDV47	OUTSIDE MANUAL BUTTON ASSEMBLY	1	30.00
E	TH559EDV207	SPANNER WRENCH TOOL SET	10	9.00
F1	TH559EDV208	VANDAL PROOF SCREW SET. (W)	10	18.00
F2	TH559EDV209	VANDAL PROOF SCREW SET (S)	10	16.00

\* FOR USE WITH TH559EDV196 SOLENOID ASSEMBLY ONLY FOR "AA" BATTERY VALVES  
 \*\* FOR USE WITH TH559EDV22 SOLENOID ASSEMBLY ONLY FOR LITHIUM BATTERY VALVES  
 NOTE: BATTERIES NOT INCLUDED IN C1 OR C2. LITHIUM BATTERY PART NO. IS 57071.

# MODELS: TET1D SERIES, TEW1D SERIES VALVE PARTS



NO.	ITEM NO.	DESCRIPTION	QTY.	PRICE
G	TH559EDV54B	SEAL WASHER SET	1	12.00
H1	71173T51SYM	REAR COVER, RIGHT (WHITE)	1	125.00
H2	71325T1SYM	REAR COVER, LEFT (WHITE)	1	125.00
H3	71173T51SHL	REAR COVER, RIGHT (STAINLESS)	1	122.00
H4	71325T1SHL	REAR COVER, LEFT (STAINLESS)	1	122.00
I	TH559EDV52	PISTON VALVE ASSEMBLY	1	34.00
J	TH559EDV243	VALVE CAP SET	1	37.00
K	TH559EDV46	INSIDE MANUAL BUTTON ASSEMBLY	1	32.00
L	TH653-1	SELF-CLEANING DIAPHRAGM & CAP	1	9.00
M1*	TH559EDV196	SOLENOID ASSEMBLY FOR "AA" BATTERY VALVES ONLY	1	74.00
M2**	TH559EDV22	SOLENOID ASSEMBLY FOR LITHIUM BATTERY VALVES ONLY	1	69.00
N	TH559EDV191	SCREW SET	10	6.00
O	TH559EDV192	SOLENOID O-RING SET	10	5.00
P	TH559EDV189	NUT STOPPER SET	10	13.00
Q	TH559EDV190	TAILPIECE O-RING SET	10	8.00

\* FOR USE WITH 58074T4R SENSOR UNIT ONLY FOR "AA" BATTERY VALVES  
 \*\* FOR USE WITH TH559EDV41 SENSOR UNIT ONLY FOR LITHIUM BATTERY VALVES