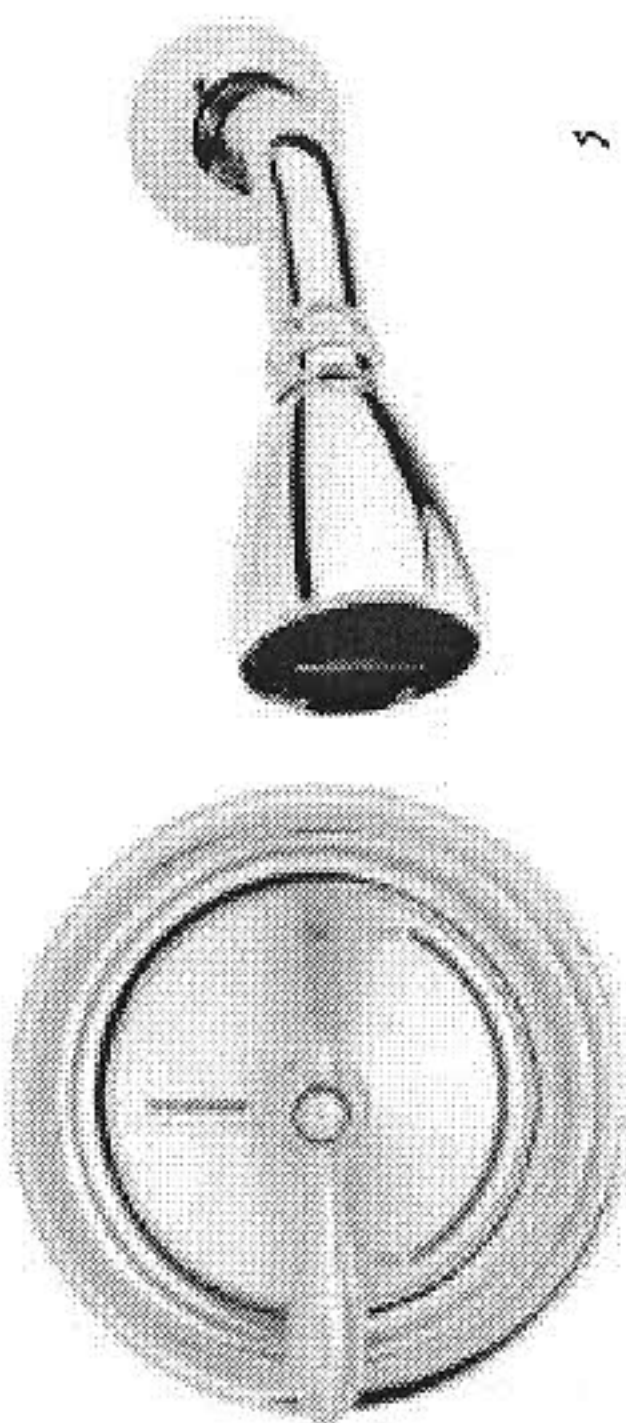


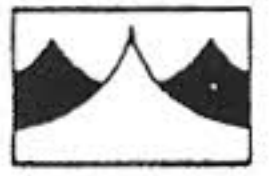
Symmons Sentinel Mark II shower valve Parts



REPAIR / REPLACEMENT PARTS

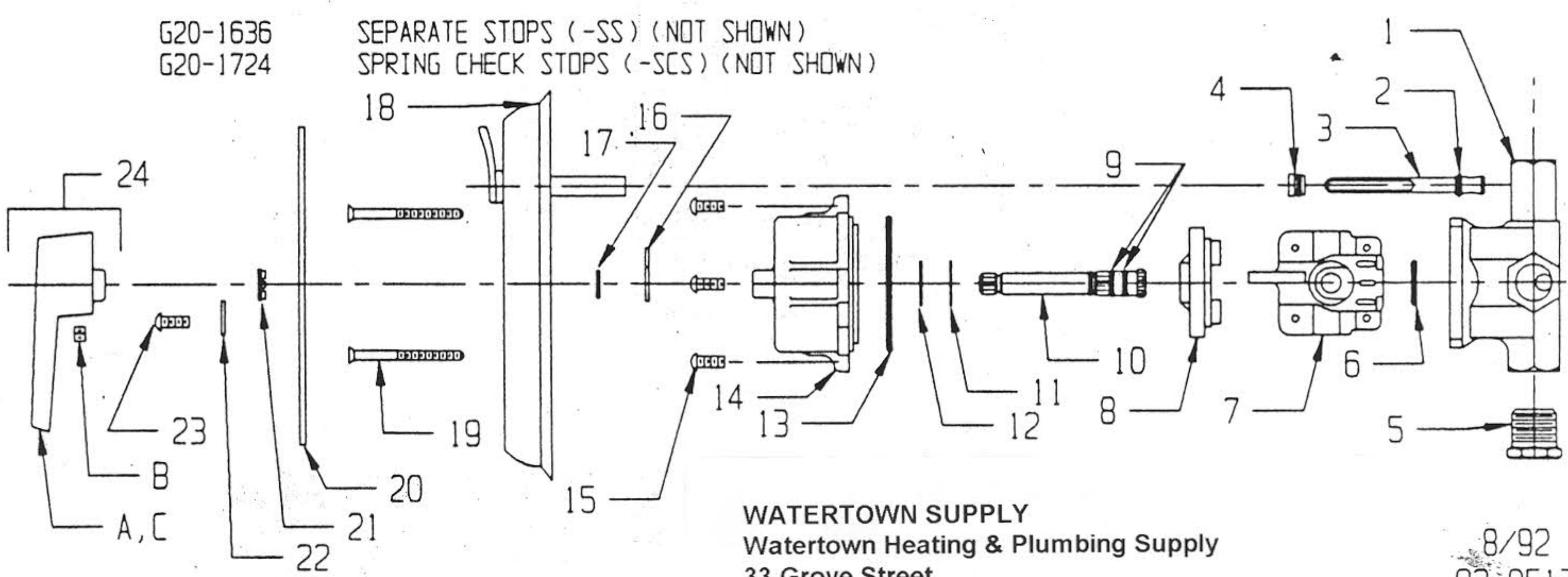
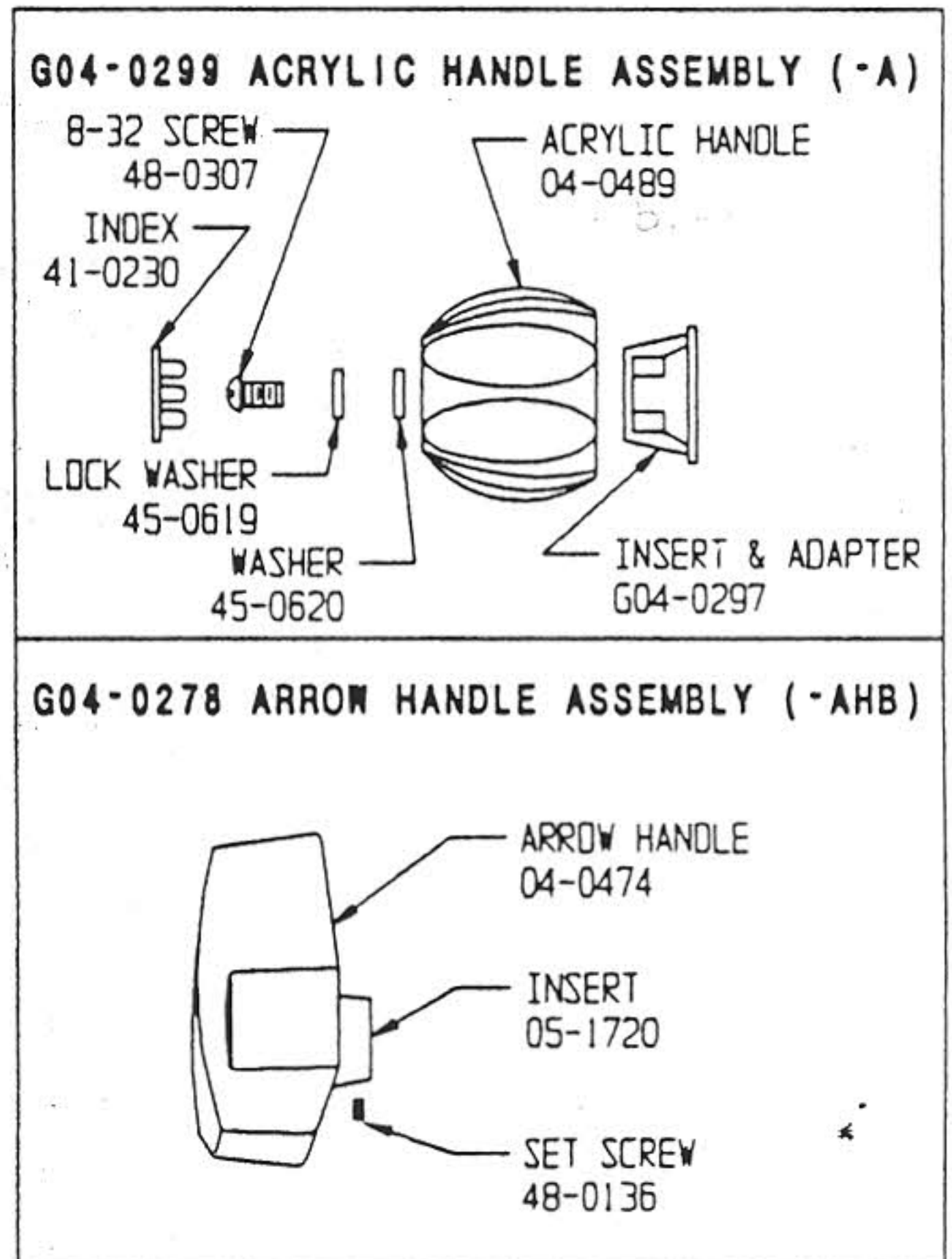
<u>ITEM #</u>	<u>PART/GROUP #</u>	<u>DESCRIPTION</u>
1	RPG03-0259-RCP	SPINDLE ASSY W/ O-RINGS & WASHERS
NOT SHOWN	G05-0412-MO	CERAMIC REGULATING MODULE ASSY W/ O-RINGS
NOT SHOWN	G05-0413	BALANCING MODULE ASSY W/ QUAD RINGS
NOT SHOWN	G04-0244-PC-P	HANDLE ASSY
NOT SHOWN	RPG05-0523	HANDLE INSERT W/ SET SCREW
2	G41-0073	INDEX ASSY
3	G03-0228-RCP	TRANSFER VALVE SPINDLE ASSY
4	RPG04-0320-PC	TRANSFER VALVE HANDLE

REPAIR PARTS LISTING FOR SENTINEL MARK II® REGENCY™ VOLUME CONTROL VALVE



ITEM NO.	PART OR GROUP NO.	DESCRIPTION
1	G20-1552	VALVE BODY W/ VOLUME CONTROL
2	49-0075	O-RING
3	03-0421	VOLUME CONTROL SPINDLE
4	01-0765	RETAINING NUT
5	08-0043	1/2"-14 NPT PLUG
6	49-0127	QUAD RING (2) (INCLUDED IN G05-0413)
7	G05-0413	BALANCING MODULE W/ QUAD RINGS
8	G05-0551	REGULATING MODULE <i>G05 0412</i>
9	49-0076	O-RING (2)
10	03-0417	SPINDLE — <i>RP603-0259 RCP</i>
11	45-0539	BRASS WASHER
12	45-0540	FRICTION WASHER
13	49-0126	O-RING
14	05-1646	BONNET
15	48-0098	ROUND HEAD SCREW (4)
16	05-1634	STOP PLATE
17	49-0087	RETAINING RING
18	G10-0063-Z	ESCUTCHEON (STD)
	G10-0063	BRASS WALL PLATE (-BWP)
19	48-0250	ESCUTCHEON SCREW (2)
20	41-0222	BLACK INDEX PLATE (SM-1425)
	41-0225	SILVER INDEX PLATE (SM-1426)
	41-0228	WHITE INDEX PLATE (SM-1427)
21	05-1623	SPINDLE BUSHING
22	45-0618	WASHER
23	48-0318	PAN HEAD SCREW
24	G04-0244	LEVER HANDLE (STD)
A	04-0432	METAL LEVER HANDLE
B	48-0136	SET SCREW
-	05-1720	INSERT (NOT SHOWN)
	G04-0296	BRASS LEVER HANDLE (-M)
C	04-0487	BRASS LEVER HANDLE
B	48-0136	SET SCREW
-	05-1720	INSERT (NOT SHOWN)
	G04-0299	ACRYLIC HANDLE (-A)
	G04-0278	ADJUSTABLE ARROW HANDLE (-AHB)

SM-1425
SM-1426
SM-1427
OPTIONS
-A
-AHB
-BWP
-M
-SCS
-SS



WATERTOWN SUPPLY
Watertown Heating & Plumbing Supply
33 Grove Street
Watertown, MA 02472
Phone # 1-800-323-3233
Fax # 1-617-924-0128