

SEWERooter T-3

Parts List and Diagram

CAT. NO.	DESCRIPTION	CAT. NO.	DESCRIPTION
T3-100	Frame Complete (Through Serial #3U942)	T3-401	Drum Complete (Thru Ser. #3U942)
T3-100-1	Frame Complete (Serial #3U943 and Over)	T3-401-2	Drum Complete (Ser.#3U943 & Up)
T3-101	Frame Only (Thru Ser. #3U942)	T3-402	Drum Shell
T3-101-1	Frame Only (Ser. #3U943 & Over)	T3-404	Drum Hub with Bushings
T3-102	Distributor Tube Support Post and Clamp	T3-404-A	Hub Bushings (2)
T3-102-A	Post Cap Locking Knob	T3-405	Hub Bolts, Nuts & Washers (5)
T3-102-B	3/8" Set Screws (2)	T3-409	Inner Drum Cage
T3-102-C	Roll Pin	T3-409-A	Cage Bushing
T3-103	Spring	T3-410	Drum Connecting Cable
T3-104	Shaft Retaining Pin	T3-415	Inner Drum Cage Retaining Knob with Washers
T3-105	Collar	T3-415-2	Knobs and Washers
T3-106	Handle Locking Knobs (2)	T3-415-A	Washers
T3-107	Plated Handles	T3-420	Drum Retaining Knob with Beveled Collar (Thru Ser.#3U942)
T3-107-A	Left Handle	T3-420-A	Beveled Collar
T3-107-B	Right Handle	T3-432	Drum Shaft (Thru Serial #3U942)
T3-107-C	Wheel	T3-432-1	Drum Shaft (Ser. #3U943 & Over)
T3-107-D	Axle for Handle Wheel	T3-432-2	Drum Shaft
T3-108	Brake Rod	T3-432-A	Shaft Retaining Rings (2)
T3-108-A	Roll Pin	T3-440	Spacer Collar (Thru Ser. #3U942)
T3-109	Brake Rod Handle with Knob	T3-440-1	Spacer Collar (Ser. #3U943 & Up)
T3-109-A	Plastic Knob	T3-600	Motor with Foot Switch & Rev. Sw. & Ground Fault Interrupter
T3-109-B	Retaining Pin	T3-601	V-Belt (53") (Thru Ser. #3U942)
T3-109-C	Brake Rod Latch with Screws	T3-601-1	V-Belt (52") (Ser. #3U943 & Up)
T3-110	8" Wheel with Cap	T3-602	V-Belt Pulley
T3-111	Wheel Retainer Cap	T3-603	Motor Support Bolts/Nuts/Washers (4)
T3-112	Wheel Spacer (3)	T3-604	20' Power Cord and GFI
T3-115	Axle	T3-605	Knob for Mounting Stud
T3-118	Motor Support with Bolts, Nuts, & Washers (Thru Serial #3U942)	T3-610	Foot Switch & Rev. Switch Assy.
T3-118-1	Motor Support with Bolts, Nuts, & Washers (Ser. #3U943 & Over)	T3-610-A	Box Only w/Cover & Screws
T3-118-A	Motor Support Bolts, Nuts & Washers (4)	T3-610-B	Foot Pedal & Hose
T3-118-1-B	Bolt & Nut	T3-610-C	Cable Tie
T3-118-1-C	Bolt & Washer	T3-610-D	Foot Pedal Only
T3-119	Motor Support Spring	T3-610-E	Power Switch Diaphragm
T3-201	Distributor Tube Assembly	T3-610-F	Air Hose
T3-202	Distributor Tube Only	T3-610-G	Reverse Switch (3-way)
T3-203	Front Collar with Set Screw	T3-610-J	Barbed Adapter
T3-205	Rear Collar with Set Screw	T3-610-N	Strain Relief Nut
T3-207	Thrust Bearing Race	T3-615	Belt Guard with Velcro
T3-210	Distributor Tube Bushings (2)	T3-615-1	Belt Guard with Slot for Stud
		GFI-T3	Ground Fault Circuit Interrupter
		PO-JR	T3 Power Cable Feed
		T3-DECAL	Set of Safety Decals
		PO-JR	Junior Power Cable Feed

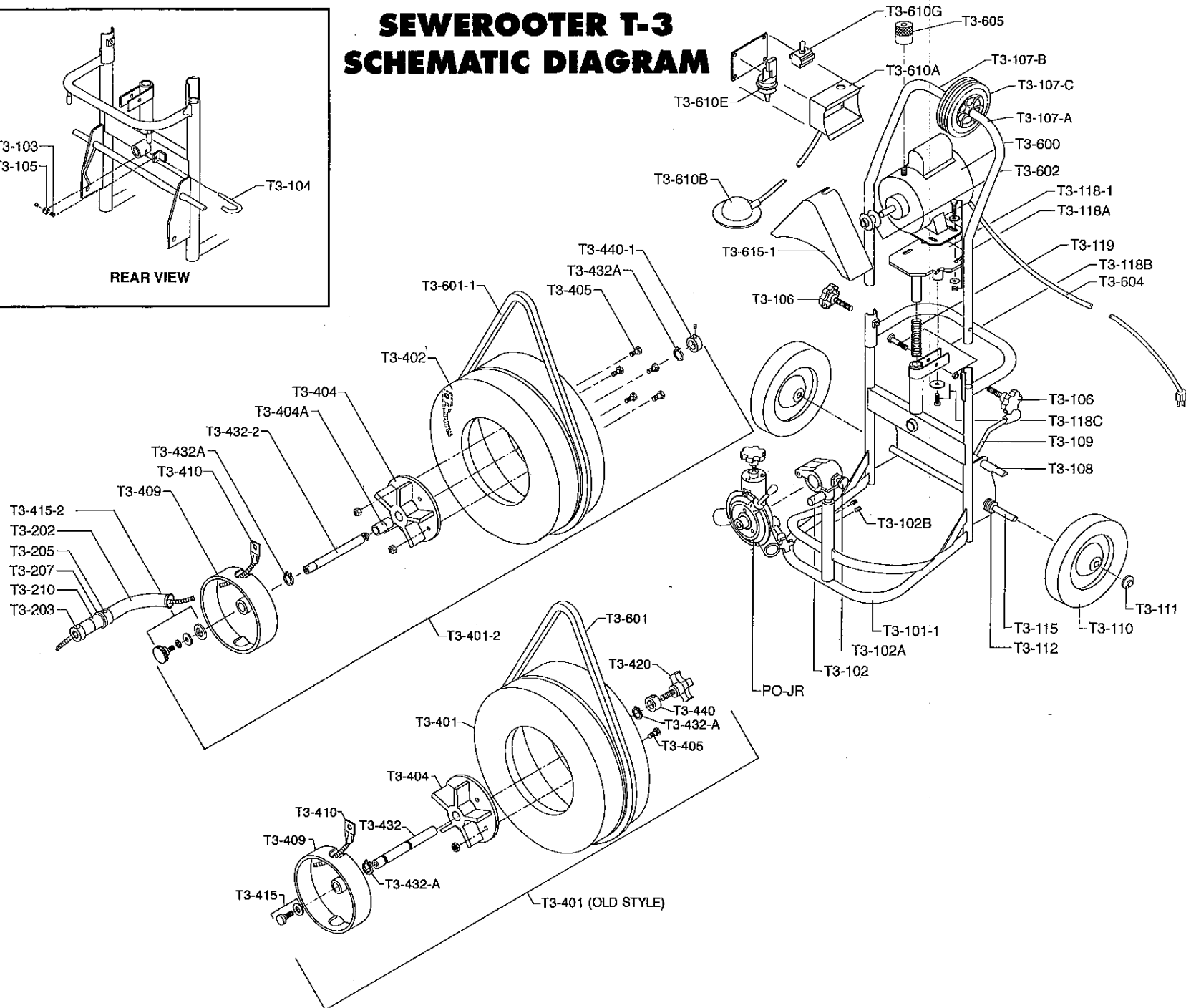
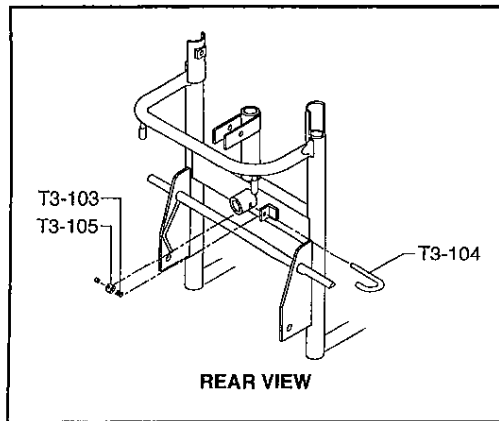
General Wire Spring Co.

1101 Thompson Avenue

412/771-6300

McKees Rocks, PA 15136 U.S.A.

SEWERooter T-3 SCHEMATIC DIAGRAM



IMPORTANT: When ordering, give Serial Number of Machine.