

# RODRUNNER

## Parts List and Diagrams

CAT. NO.	DESCRIPTION	CAT. NO.	DESCRIPTION
RD-100	Frame Complete	RD-224	Thrust Bearing Set
RD-101	Base with Axle	RD-225	Tension Spring
RD-102	5" Caster	RD-226	Tension Adjusting Collar with Cap Screw
RD-102-A	Caster Retaining Bolts & Nuts (4)	RD-230	Chuck Cam
RD-103	Brake Rod with Handle & Knob	RD-230-A	Stop Pin (Ser. #1412 & Over)
RD-103-A	Brake Rod Retaining Collars (2)	RD-231	Steel Plate Spacer
RD-104	Handle Sockets (2)	RD-232	Chuck Cam Follower
RD-104-A	Hex Head Bolts with Hex Nuts 1-3/4" (2)	RD-233	Chuck Body
RD-105	Handle Locking Knobs (2)	RD-233-A	Chuck Body Set Screws (2)
RD-106	Chrome Plated Handle	RD-233-B	Chuck Cone Cover Screws (2)
RD-107	10" Rubber Wheels (1)	RD-233-C	Positioning Ring for Chuck Jaws
RD-107-A	Hat-type Push Nut (2)	RD-234	Chuck Jaws with Rings (3) (For 1 1/4" dia. cables)
RD-108	Axle	R-R10AD	Chuck Jaws with Rings (3) (For 7/8" dia. cables)
RD-109	Plastic Cover	RD-234-A	Chuck Jaw Rings (3)
RD-110	Plastic Cover Screws (4)	RD-234-B	Chuck Jaw Springs (3)
RD-111	Section Counter Assembly	RD-235	Chuck Bearing and Races
RD-200	Complete Drive Assembly	RD-236	Chuck Cone
RD-201	Bearing Housing Complete	RD-237	Chuck Cone Return Spring
RD-201-A	Rear Ball Bearing	RD-238	Chuck Cone Cover
RD-201-B	Front Bronze Bushing	RD-239	Spring Ret. Ring for Return Spring
RD-201-C	Limit Screw (Ser. #1412 & Over)	RD-300	3/4 hp Motor with GFI, Foot Switch & Reverse Switch Assembly
RD-202	Hex Head Bolt 1" x 3/8" with Washer	RD-300-1HP	1 hp Motor with GFI, Foot Switch & Reverse Switch Assembly
RD-203	Upper Cam Follower Guide Pin with Nut	RD-301-A	5/16" Hex Head Bolt w/ Hex Nut (6)
RD-204	Upper Cam Follower Guide Pin Spring Discontinued	RD-301-B	5/16" SAE Washer (4)
RD-205	Lower Cam Follower Guide Pin with Nut	RD-301-C	5/16" Flat Washer Discontinued
RD-206	Lower Cam Follower Guide Pin Spring Discontinued	RD-302	Double Grooved Motor Pulley
RD-212-210-1	Chuck Handle Assembly	RD-303	30" V-Belts (2)
RD-210-1	Chuck Handle Link	RD-304	20 ft. Cord with Moulded Plug and Ground Fault Interrupter
RD-211-1	Chuck Handle Link Spacer	RD-311	Air Ft. Switch & Rev. Switch Assy.
RD-212-1	Chuck Handle Rod	RD-311-A	Box Only with Cover & Screws
RD-212-1-A	Chuck Handle Rod Roll Pin	RD-311-B	Foot Pedal and Hose
RD-212-1-B	Aluminum Chuck Handle	RD-311-C	Cable Tie
RD-212-1-C	Chuck Handle Adjusting Nut	RD-311-D	Foot Pedal
RD-212-1-E	Chuck Handle Block	RD-311-E	Power Switch Diaphragm
RD-212-1-F	Chuck Handle Block Screw	RD-311-F	Air Hose (11 ft.)
RD-212-1-G	Chuck Handle Block Pin	RD-311-G	Reverse Switch (3-Way)
RD-212-1-H	Chuck Handle Collar	RD-311-J	Barbed Adapter
RD-220	Chuck Shaft	RD-311-N	Strain Relief Nut
RD-220-A	Chuck Shaft Snap Ring	RGH	Rear Guide Hose
RD-221	Clutch Pressure Plate Casting	CF	Cable Feeding Tool
RD-221-A	3/8" Allen Head Set Screws (2)	RD-DECAL	Set of Safety Decals
RD-222	Friction Disc	RD-VIDEO	Instructional Video
RD-223	Double Grooved Clutch Pulley		
RD-223-A	Double Grooved Pulley Bushing		

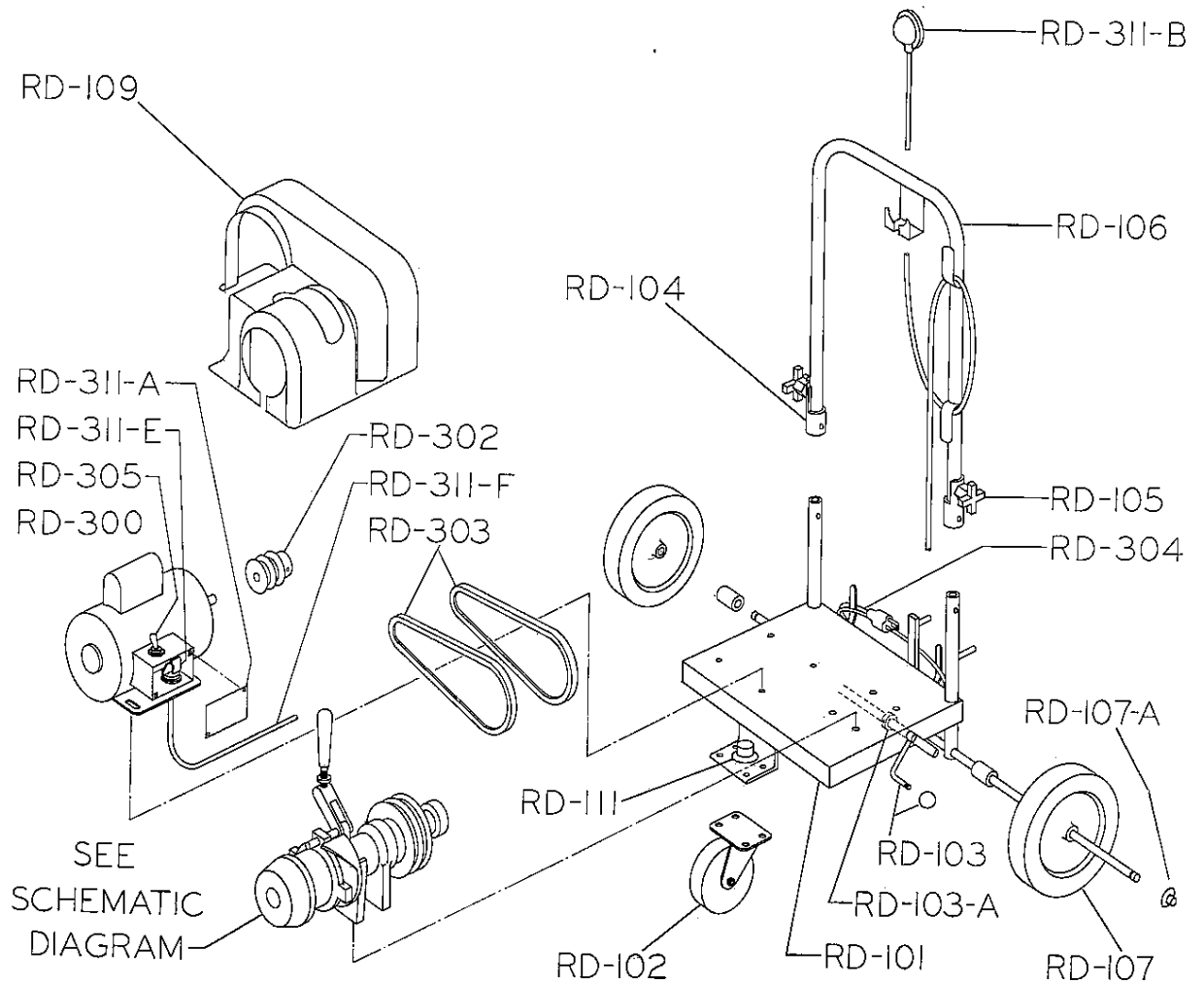
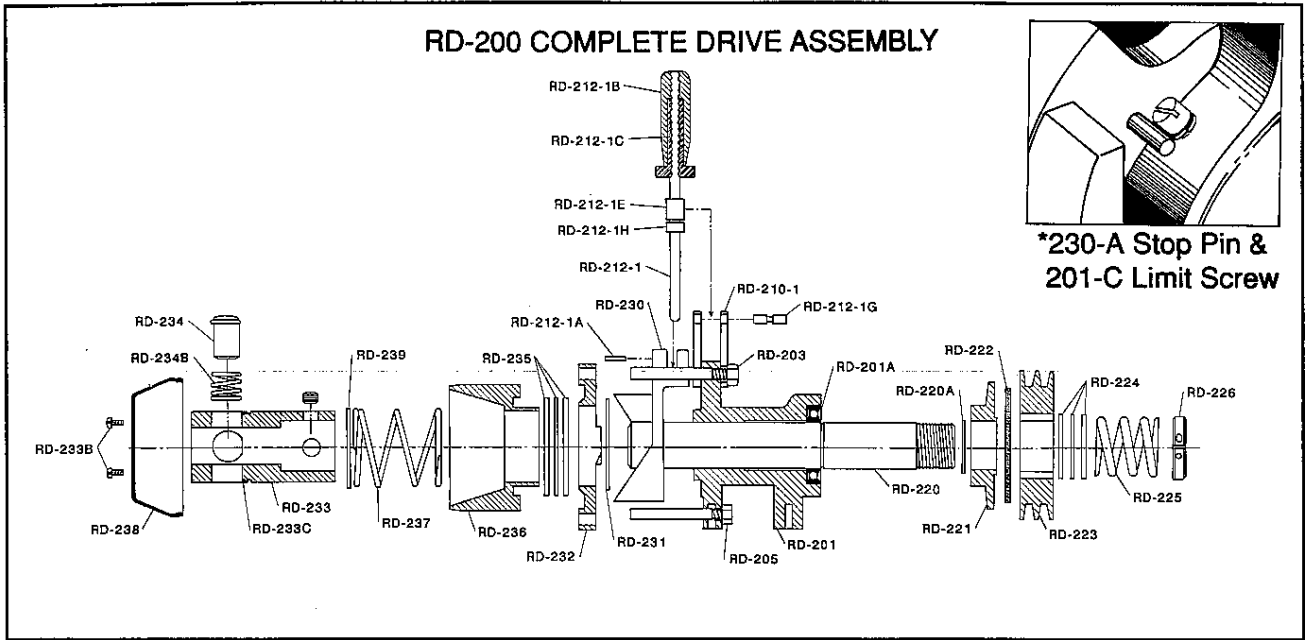
**General Wire Spring Co.**

1101 Thompson Avenue

412/771-6300

McKees Rocks, PA 15136 U.S.A.

# RODRUNNER



**IMPORTANT: When ordering, give Serial Number of Machine.**