

MODEL 82

Parts List and Diagram

CAT. NO.	DESCRIPTION	CAT. NO.	DESCRIPTION
82-100	Frame Complete	82-300	Motor & Gear Head comp. w/GFI (Up to Ser. #1797) Discontinued
82-101	Frame Only	82-300-1	3/4 hp Motor & Gear Head Complete
82-120	5" Caster	82-300-2	1 hp Motor & Gear Head Complete
82-121	Caster Bolts (4)	82-301	Motor (1725 RPM) Discontinued (See 82-300-1)
82-130	Front Bearing Post	82-301-1	3/4 hp Motor (3450 RPM)
82-130-A	Bushings (2)	82-301-2	1 hp Motor (3450 RPM)
82-130-B	Grease Fitting	82-302	Gear Head Only Discontinued (3.5 to 1 Ratio)
82-131	Post Bolts, Nuts, & Washers (3)	82-302-1	Gear Head Only (7 to 1 Ratio)
82-150-1	Handle Hinge Assembly	82-302-A	Gear Head Vent Cap
82-150-1-A	Hinge Top	82-302-1-A	Gear Head Vent Cap
82-150-1-B	Hinge Bottom	82-303	Gear Head Mounting Bolts (4)
82-150-1-C	Hinge Roll Pins (2)	82-305	Motor Mounting Bolts, Nuts & Washers (4)
82-155-1	Handle Locking Sleeve	82-310	20 ft. Power Cord with GFI
82-160-2	Handle with Pedal Holder (From Serial #1270 and over)	82-311	Air Foot Switch & Reverse Switch Complete
82-160-2-A	Locking Collar Stop Screw	82-311-A	Box only with Cover & Screws
82-170	10" Wheel	82-311-B	Foot Pedal and Hose
82-171	Hat Type Push Nuts (2)	82-311-C	Cable Tie
82-172	Spacer Washers (2)	82-311-D	Foot Pedal
82-190	Plastic Clutch Face Cover	82-311-E	Power Switch Diaphragm
82-200	Clutch Assembly	82-311-F	Air Hose (11 ft.)
82-201	Clutch Housing with Set Screws (Through Serial #1797)	82-311-G	Reverse Switch
82-201-1	Clutch Housing with Set Screws (Serial #1798 & Over)	82-311-H	Rubber Boot (Rental Units Only)
82-205	Drive Plate	82-311-J	Barbed Adapter
82-205-A	Round Socket Head Bolts 1" x 1/4" (6)	82-311-N	Strain Relief Nut
82-210	Clutch Hub with Roll Pin	GFI-82	Ground Fault Interrupter for Model 82
82-215	Adjustment Nut	5/8 G-CDC	Cable Drive Coupling with "G" Connector for 5/8" Shaft
82-215-A	Brass Slotted Head Screw 1/2" (2)	1/2 G-CDC	Cable Drive Coupling with "G" Connector for 1/2" Shaft
82-220	Friction Disc (2)	5/8 L-CDC	Cable Drive Coupling with "L" Connector for 5/8" Shaft
82-225	Spacer Bushing	1/2 L-CDC	Cable Drive Coupling with "L" Connector for 1/2" Shaft
82-230	Fixed Plate	6L78-CDC	Cable Drive Coupling for 6L78 7/8" Cables
82-235	Spring Washer (2)	82-DECAL	Set of Safety Decals
82-240	Locking Washer	82-VIDEO	Instructional Video
82-245	Clutch Shaft (5/8")		

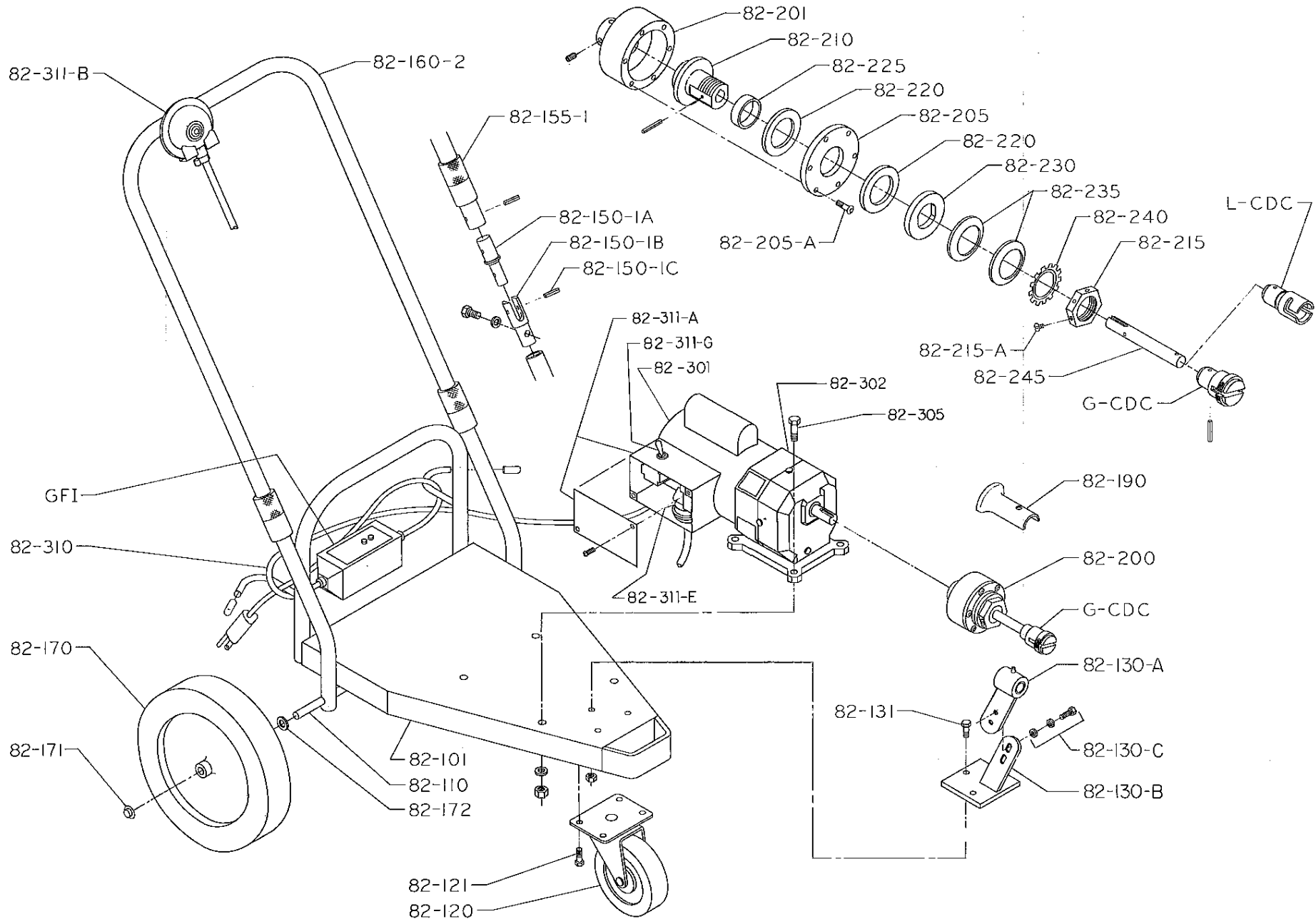
General Wire Spring Co.

1101 Thompson Avenue

412/771-6300

McKees Rocks, PA 15136 U.S.A.

MODEL 82 SCHEMATIC DIAGRAM



IMPORTANT: When ordering, give Serial Number of Machine