

KINETIC WATER RAM

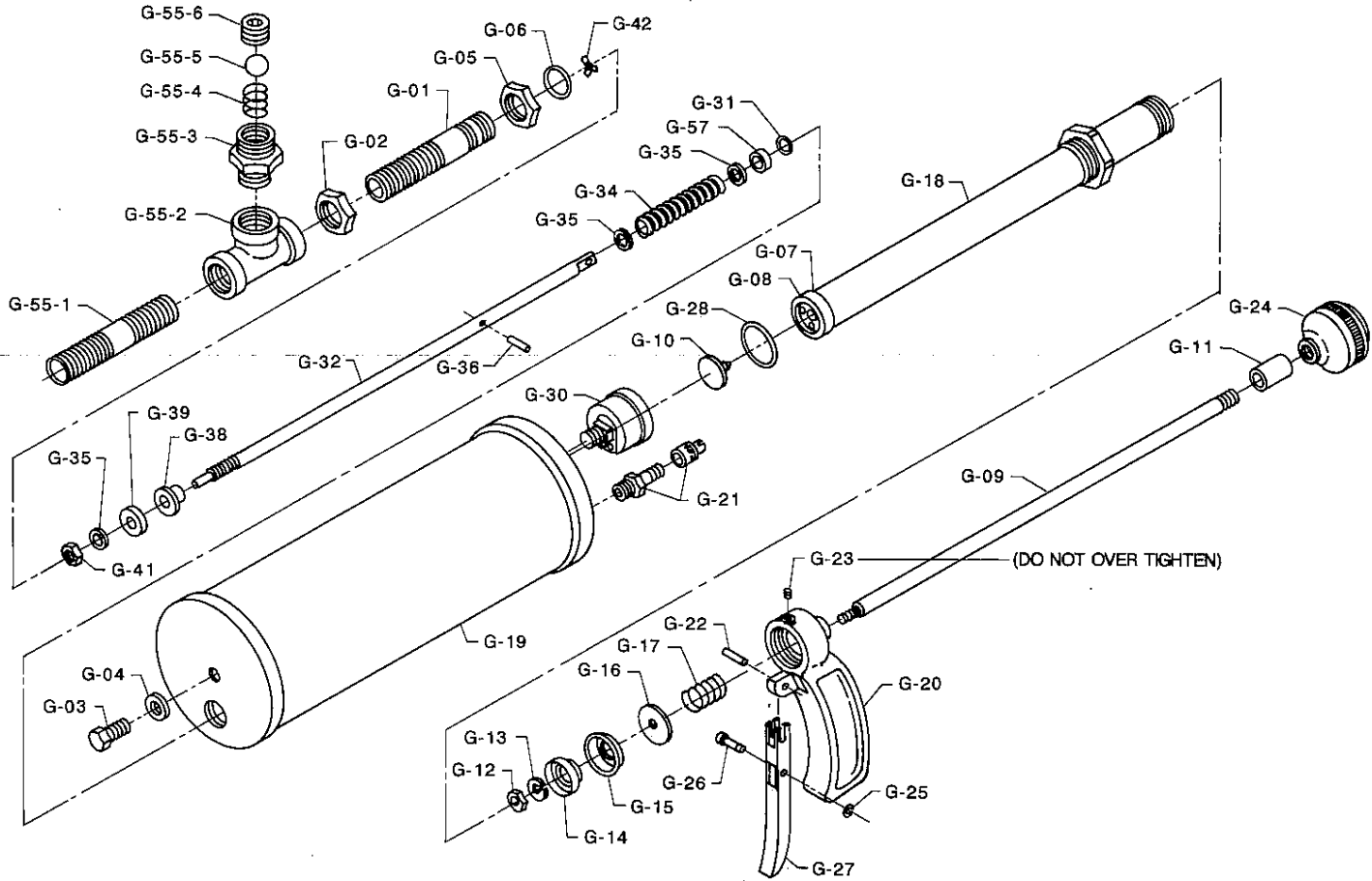
Parts List and Diagram

MODEL G		MODEL E	
CAT. NO.	DESCRIPTION	CAT. NO.	DESCRIPTION
G-01	Shank	E-1	Shank
G-02	Locknut	E-2	Locknut
G-03	Cap Screw	E-3	Water Inlet Check Valve Gasket
G-04	Sealing Washer	E-4	Water Inlet Check Valve Spring
G-05	Locknut	E-5	Water Inlet Check Valve Ball
* G-06	O-Ring	E-6	Water Inlet Check Valve Body
G-07	Solder Ring	E-7	Locknut
G-08	Pump Bottom Cap	* E-8	O-Ring
G-09	Pump Shaft	E-9	Solder Ring
* G-10	Valve Seat Washer	* E-10	Valve Seat Washer
G-11	Spacer	E-11	Pump Bottom Cap
* G-12	1/4" x 20 Hex Nut	* E-12	1/4" x 20 Hex Nut
* G-13	1/4" Lock Washer	* E-13	1/4" Lock Washer
* G-14	Cup Spreader	* E-14	Cup Spreader
* G-15	Leather Cup	* E-15	Leather Cup
G-16	Washer	* E-16	Washer
G-17	Pump Shaft Spring	E-17	Pump Shaft Spring
G-18	Air Pump Cylinder & Nut	E-18	Pump Shaft & Spacer
G-19	Air Chamber Cylinder	E-19	Air Pump Cylinder & Nut
G-20	Handle	E-20	Air Chamber Cylinder
G-21	Schrader Valve	E-21	Schrader Valve
G-22	Roll Pin	E-22	Handle
G-23	Set Screw	E-23	Set Screw
G-24	Ball Handle	E-24	Ball Handle
* G-25	"E" Ring	* E-25	"E" Ring
* G-26	Trigger Pin	* E-26	Trigger Pin
G-27	Trigger	E-27	Trigger Pin
* G-28	O - Ring	E-28	"E" Ring
G-29	Guide	E-29	Trigger
G-30	Pressure Gauge	E-30	Pressure Gauge
* G-31	O - Ring	E-31	O-Ring
G-32	Lifter Rod Connector	E-32	Guide
* G-34	Spring	E-33	O-Ring
G-35	Flat Washer	E-34	Spring
G-36	Roll Pin	E-35	Flat Washer
G-38	Bell Shaped Nut	E-36	Roll Pin
* G-39	Seat Washer	E-37	Lifter Rod
G-41	1/4" x 28 Fin Nut	E-38	Bell Shaped Nut
G-42	Lifter Rod Guide	* E-39	Seat Washer
G-55	Check Valve Assembly	E-40	Flat Washer
G-55-1	Check Valve Shank	E-41	1/4" x 28 Fin Nut
G-55-2	Check Valve 1/2" Tee	E-42	Spider Guide
G-55-3	Check Valve Adapter		
G-55-4	Check Valve Spring		
G-55-5	Check Valve Ball		
G-55-6	Check Valve Insert		
G-CVK	Check Valve Assembly Kit (Contains G-45, G-46, G-55)		
ACCESSORIES		KR-VIDEO	Instructional Video (for Both 'E' or 'G' Rams)
G-43-4	4" Rubber Cone		ACCESSORIES
G-43-6	6" Rubber Cone	E-43-4	4" Discharge Nozzle Rubber Cone
G-44	Caulking Hose	E-43-6	6" Discharge Nozzle Rubber Cone
G-45	Supply Hose	E-44	Rubber Caulking Hose
G-46	Universal Faucet Adapter	E-45	Rubber Supply Hose Assembly
G-48	Set of 5 Drain Adapters	E-46	Rubber Universal Faucet Adapter
G-49/50	Threaded Faucet Adapter	E-48	Set of 5 Rubber Drain Adapters
G-52	Extension Hose	E-49	Faucet Adapter - 1 (Outside Threads)
KR-RK	Ram Repair Kit	E-50	Faucet Adapter - 2 (Inside Threads)
KR-CA	Toilet Attachment	KR-RK	Ram Repair Kit
KR-CC	Carrying Case	E-52	22" Extension Hose (22-EH)
1-1/2EX	1-1/2" Expansion Plug	KR-CA	Toilet Attachment
2EX	2" Expansion Plug	KR-CC	Carrying Case
3EX	3" Expansion Plug	1-1/2EX	1-1/2" Expansion Plug
4EX	4" Expansion Plug	2EX	2" Expansion Plug
		3EX	3" Expansion Plug
		4EX	4" Expansion Plug

* These parts and Neats Foot Oil included in KR-RK Ram Repair Kit.

General Wire Spring Co.

KINETIC WATER RAM-MODEL G



KINETIC WATER RAM-MODEL E

