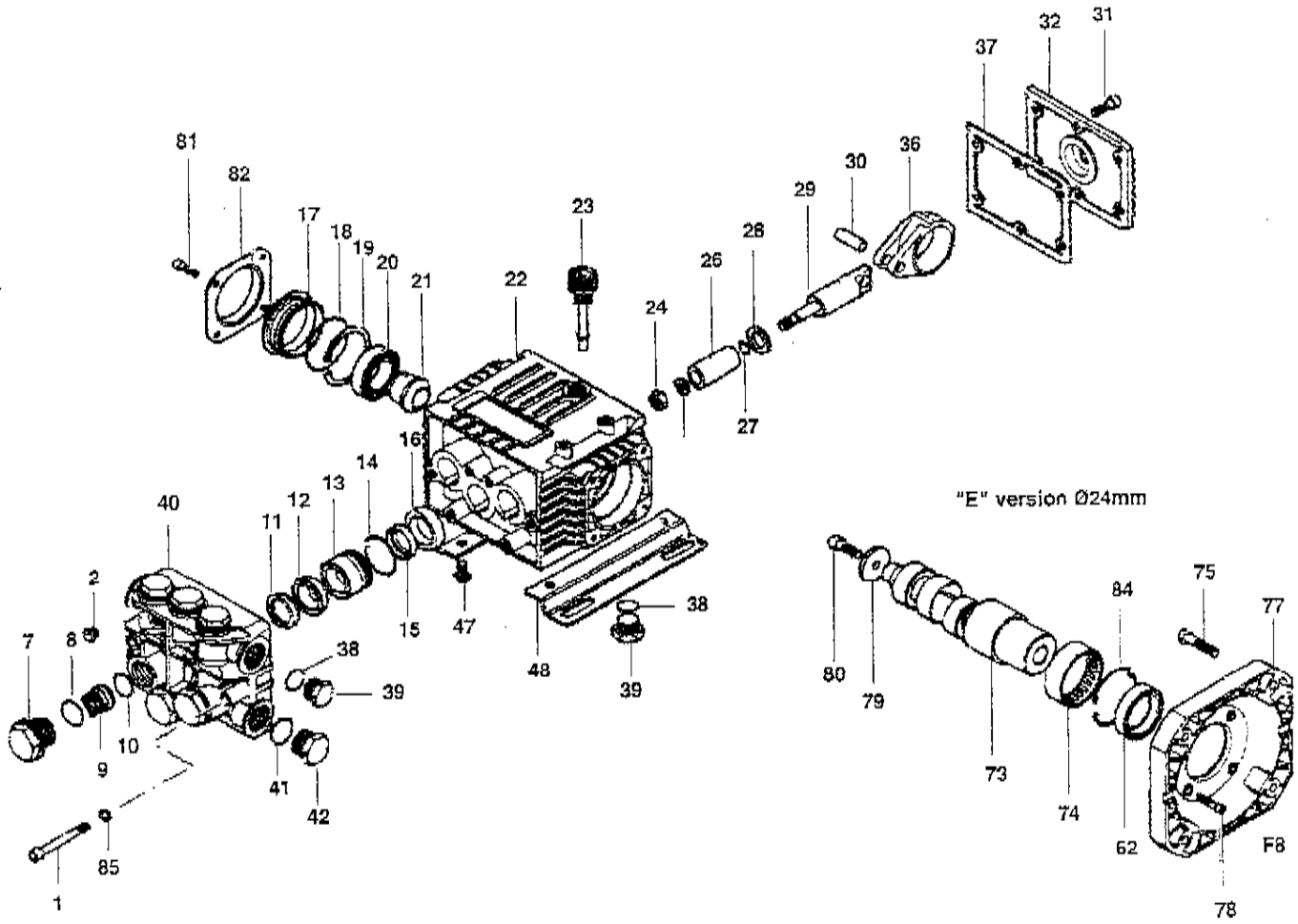


**PUMP MODEL NO. AR XTVA2G15EBA-F8**  
**JET SET MODEL J-1400 & J-1600 • PART #5-2248**



**PUMP MODEL NO. AR XTVA2G15EBA-F8**  
**JET SET MODEL J-1400 & J-1600 • PART #5-2248**

ITEM	PART NO.	DESCRIPTION	QTY
1	83-880570	Head Bolt TCEI M6x60 Brass	6
2	83-620301	Tap Plug 1/8" G (optional)	1
7	83-1260160	Valve Cap	6
8	83-960160	O-Ring Ø17.86x2.62	6
9	83-1269050	Complete Valve	6
10	83-880830	O-Ring Ø15.54x2.62	6
11	83-1260140	Support Ring Ø15	3
12	83-1260130	Packaging Gasket Ø15	3
13	83-1260151	Piston Guide Ø15	3
14	83-1260420	O-Ring Ø26.70x1.78	3
15	83-1260440	Packaging Seal Gasket Ø15	3
16	83-1260460	Piston Oil Seal 15x24x5	3
17	83-1320320	Shaft Side Plug	1
18	83-1320360	O-Ring Ø47.35x1.78	1
19	83-1260790	Circlip Ø.52	1
20	83-1320370	Bearing 25x52x15 6205	1
21	83-1320330	Bushing	1
22	83-1320010	Pump Body	1
23	83-880130	Dip Stick	1
24	83-1260110	Screw M8	3
25	83-1260100	Copper Washer 8x13x0.5	3
26	83-1260120	Piston Ø15	3
27	83-480480	O-Ring Ø4.48x1.78	3
28	83-1260091	Disc Separator	3
29	83-1260070	Piston Guide	3
30	83-1260080	Piston Pin Ø.7x24	3
31	83-1260760	Screw TCEI M5x20	6
32	83-1321030	Rear Cover, Low	1

ITEM	PART NO.	DESCRIPTION	QTY
36	83-1320140	Con Rod, Bronze	3
37	83-1260040	Rear Gasket Cover	1
38	83-740290	O-Ring Ø14 x 178	3
39	83-880530	Oil Drain Tap Bolt 3/8" G	2
40	83-1320020	Pump Head-Without Hole, 18mm Brass	1
41	83-180101	O-Ring Ø17.5 x 2	1
42	83-820360	Head Tap Bolt 1/2"G	1
47	83-1260470	Mounting TE M8x10	4
48	83-1263890	Base Plate	2
81	83-1321780	Bolt TCEI M6x12	4
82	83-1321420	Side Cover	1
83	83-1260790	Circlip Ø.52	1

Crankcase Oil Capacity, 14 oz.

**E VERSION:**

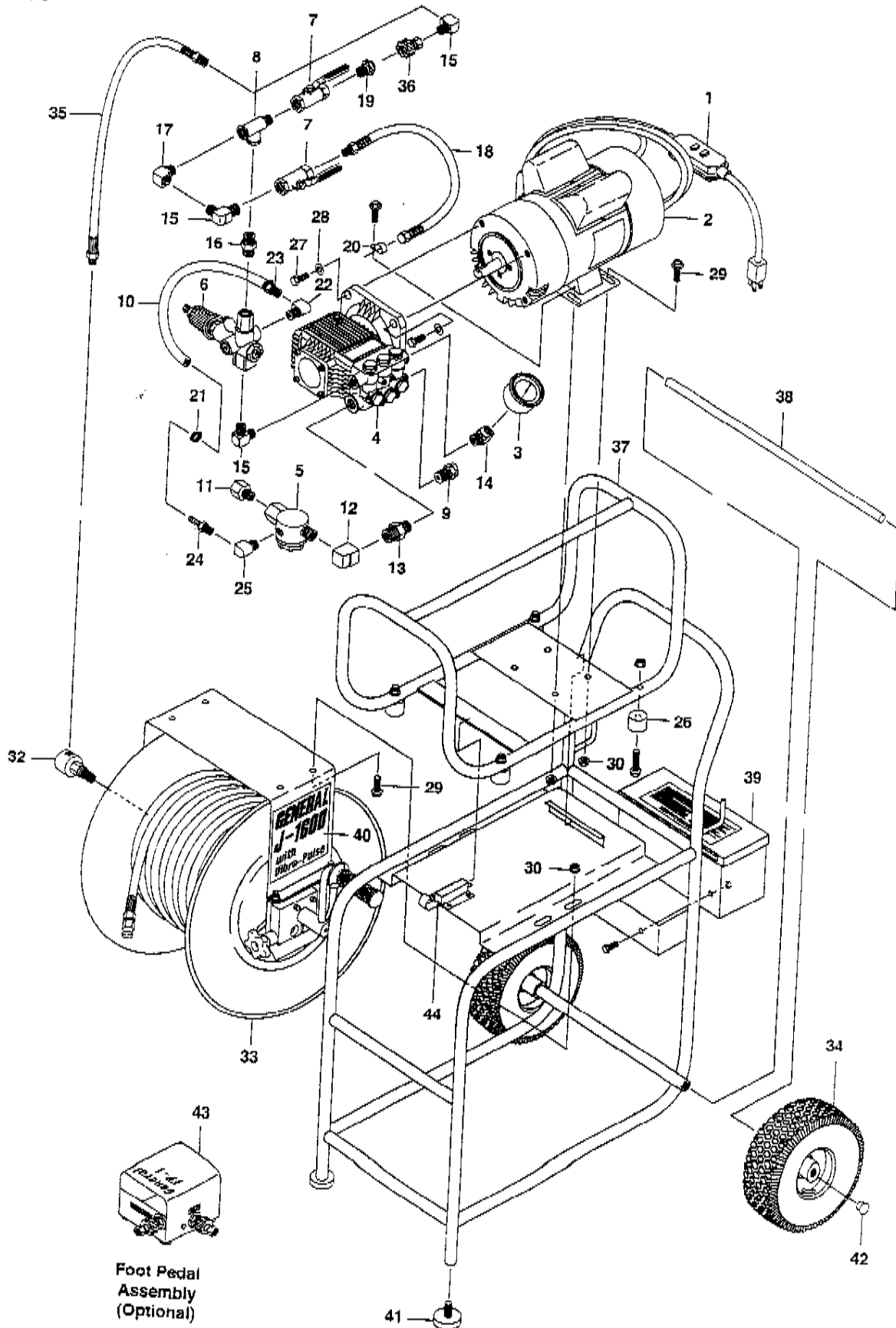
ITEM	PART NO.	DESCRIPTION	QTY
62	83-480671	Seal Ring 40x52x7	1
73	83-1321110	Shaft 2 GPM Ø5/8" 1	
74	83-1321190	Ring Bearing HK 4516	1
75	83-650610	Bolt, 3/8" 16 UNCx1"	4
77	83-1320060	Type F8 Flange, Nema C	1
78	83-1200430	Bolt/Flange-Motor TCEI M6x16	4
79	83-780230	Washer Ø 6.5x28x4	1
80	83-780060	Bolt TCEI M6x25	1
84	83-1321080	Snap Ring	1

KIT 83-1860 OIL SEALS (E Ver)		KIT 83-1864 VALVES		KIT 83-1866 WATER SEALS		KIT 83-1866 OIL SEALS	
Pos.	Qty.	Pos.	Qty.	Pos.	Qty.	Pos.	Qty.
16	3	9	6	11	3	16	3
18	1	10	6	12	3	18	1
37	1			14	3	37	1
62	1			15	3	46	1

# GENERAL'S JET SET™ OPERATOR'S MANUAL

## EXPLODED VIEW

J-1600



**EXPLODED VIEW PARTS LIST**

J-1600

ITEM	PART NO.	DESCRIPTION	QTY
1	6-1062	GFCI, 120V 15A W/36' 12-3 Cord	1
2	5-1004M	Motor, 1.5 HP 1 PH 1725 RPM, Magnetek TEFC	1
3	4-05001	Gauge, Pressure Panel Mount, 0-2000 PSI	1
4	5-2248	Pump, AR XTA2G15EBA-F8, Elect 1725 RPM	1
5	2-1908	Strainer, 1/2" General, Inline	1
6	5-3210	Unloader, AL605, 7.8 GPM @1500 PSI	1
7	2-30026	Valve, 3/8" Ball, Brass, Gen Wire	1
8	2-0045	Tee, 3/8" Street	1
9	2-300817	Pump Protector, 1/2" 140 Deg	1
10	4-02110000	Hose, 1/2" Push-On, per/Ft	1.125
11	2-10942	Swivel, 1/2" MP x 3/4" GHF w/Strainer	1
12	2-1020	Elbow, 1/2" Female, Brass	1
13	2-1007	Nipple, 1/2" Hex	1
14	2-00301	Elbow, Street, 1/4" x 3/8" Steel	1
15	2-00270	Elbow, 3/8", Male Pipe	2
16	2-0006	Nipple, 3/8" Hex Steel	1
17	2-0031	Elbow, 3/8" Street	1
18	4-02157725	Hose, Pulsation, 24"	1
19	2-2115	Screw, 5/16" x 3/4" Whiz	4
20	2-9016	Clip, Round, 0.56 I.D.	1
21	2-9002	Clamp, Screw, #6	2
22	2-1023	Elbow, 3/8" Street	1
23	2-008801	Hose Barb, 1/2" Barb x 3/8" MNPT, Steel	1

ITEM	PART NO.	DESCRIPTION	QTY
24	2-008802	Hose Barb, 1/2" Barb x 1/4" MNPT, Steel	1
25	2-1022	Elbow, 1/4 Street	1
26	2-01015	Bumper, Rubber 1" w/Bolt, 5/16" x 1-1/4"	4
27	90-1016	Bolt, 3/8" x 1", NC HH	4
28	90-4009	Washer, 3/8", Lock, Split Ring	4
29	90-19713	Screw, 5/16" x 3/4" Whiz	4
30	90-20012	Nut, Whiz Loc 5/16" Flange	8
31	95-07103120	Frame, Welded Assy, J-1400	1
32	4-02751028	Swivel, Reel Quick GA0290	1
33	4-02751015	Hose Reel, 18", General Wire	1
34	4-03032	Wheel & Tire Assy, 4" Tubeless, White Rim, 5/8" HUB	2
35	4-02037828	Hose, 3/8" x 28", 1 Wire, 3/8" MPT x 3" MPTS	1
36	2-2113	Coupler, 3/8" Female Screw-Type 7640	1
37	95-07103160	Assy, Frame, J-1600	1
38	95-07103161	Axle, 21.75", J-1600	1
39	95-07103208	Assy, Tool Box, Orange, General Wire	1
40	11-201600	Label, J-1600 w/Vibra Pulse	1
41	2-01019	Foot, Rubber (Crutch)	2
42	90-200420	Cap, 5/8" Axle	2
43	26-FP-1	Foot Pedal	1
44	90-50041	Latch, Finger	1

**Not Shown**

2-30065	Assy, Backflow Protector	1
96-6115	Manual, General Jet Set J-1400/J-1600	1