

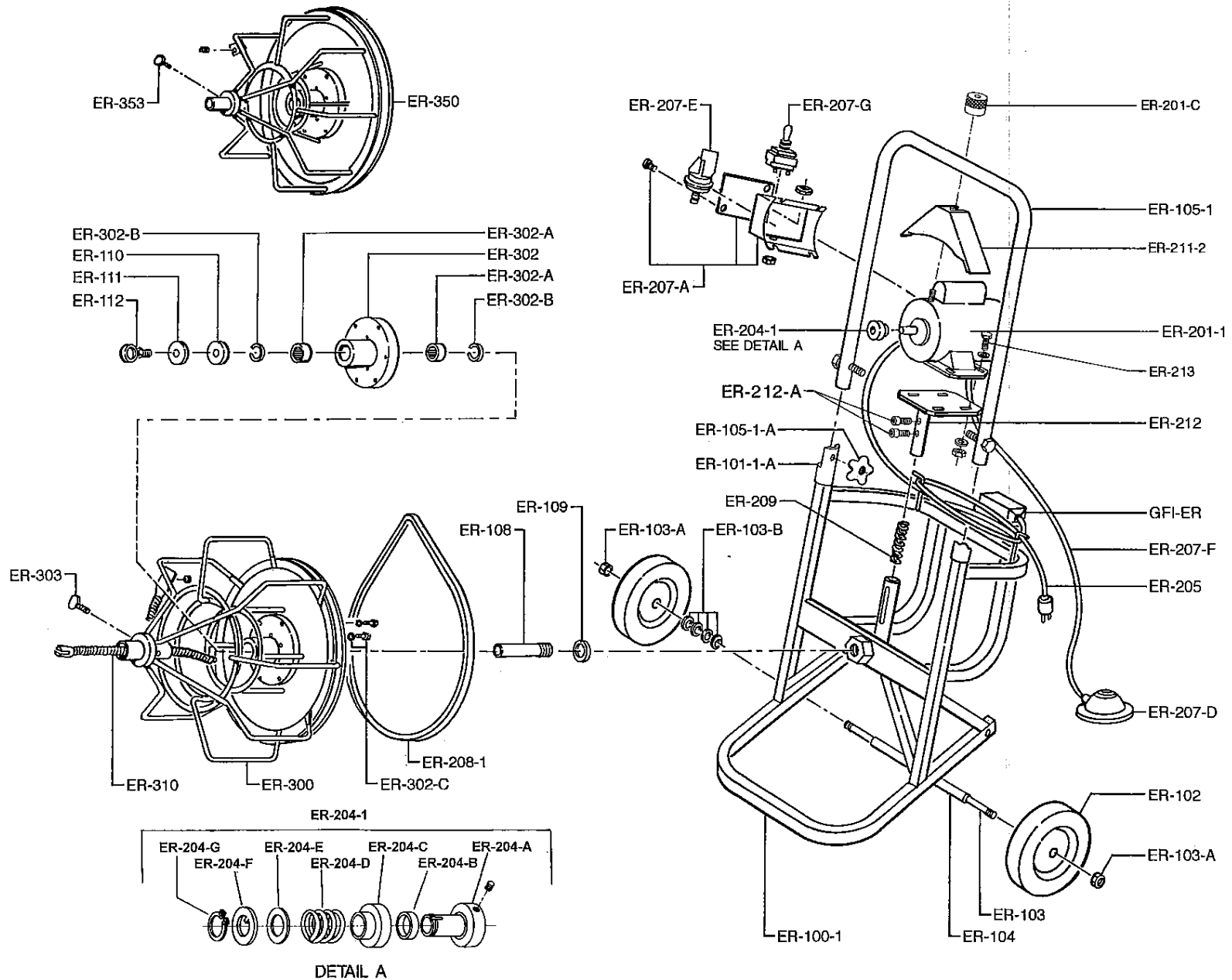
EASY ROOTER

Parts List and Diagram

CAT. NO.	DESCRIPTION	CAT. NO.	DESCRIPTION
ER-100-1	Frame Complete (Serial #1800 & Over)	ER-207	Air Foot Switch & Reverse Switch (Ser. #1938 & Over)
ER-101-1	Frame Only (Serial #1800 & Over)	ER-207-A	Box only w/ Cover & Screws
ER-101-1-A	Handle Socket	ER-207-B	Foot Pedal and Hose
ER-101-1-B	Handle Hinge Bolt	ER-207-C	Cable Tie
ER-102	10" Rubber Wheel (1)	ER-207-D	Foot Pedal
ER-103	Axle	ER-207-E	Power Switch Diaphragm
ER-103-A	Locknuts (2)	ER-207-F	Air Hose
ER-103-B	Spacer Washers (6)	ER-207-G	Rev. Switch Only (3-Way)
ER-104	Wheel Spacer	ER-207-H	Boot for Reverse Switch
		ER-207-J	Barbed Adapter
		ER-207-N	Strain Relief Nut
ER-105-1	Handle with Knobs (Serial #1800 & Over)	ER-208	V-Belt (52") (Thru Ser. #ER85118)
ER-105-1-A	Handle Locking Knob (2) (Serial #1800 & Over)	ER-208-1	V-Belt (53") (Ser. #ER85119 & Over)
ER-108	Drum Support Shaft	ER-209	V-Belt Tension Spring
ER-109	Bronze Thrust Washer	ER-211	Belt Guard for GE Motor (Through Serial #4245)
ER-110	Felt Washer	ER-211-1	Belt Guard for A.O. Smith Motor (Ser. #4246 & Up)
ER-111	Drum Hub Retaining Washer	ER-211-2	Belt Guard with Slot for Stud
ER-112	Drum Shaft Retaining Bolt for Large & Small Drum	ER-212	Motor Support Bracket with Guide Bolts
ER-201-1	1/3 hp Motor Complete with GFI, Air Foot Switch & Reverse Switch Assy.	ER-213	Nuts, Bolts, Washers (4)
ER-201-C	Knob for Belt Guard	ER-300	Large Open Cage (For 3/4" & 5/8" Cables)
ER-204-1	Slip Clutch	ER-302	Drum Hub with Bearings
ER-204-A	Fixed Pulley Half	ER-302-A	Drum Hub Bearings (Set)
ER-204-B	Spacer	ER-302-B	Retaining Ring (2)
ER-204-C	Moveable Pulley Half	ER-302-C	Bolts & Lock Washers (12)
ER-204-D	Spring	ER-303	Cable Locking Thumb Screw
ER-204-E	Thrust Washer	ER-310	Drum Conn. Cable & Lug
ER-204-F	Thrust Bearing	ER-350	Small Open Cage (For 1/2" Cables)
ER-204-G	Retaining Ring	ER-353	Cable Locking Thumb Screw
ER-205	20' Power Cord w/Plug & Ground Fault Interrupter	ER-354	Small Drum Retaining Bolt (Through Serial #1799)
		GFI-ER	Ground Fault Interrupter with 20 ft. Cord
		ER-DECAL	Set of Safety Decals
		ER-VIDEO	Instructional Video

General Wire Spring Co.

EASY ROOTER SCHEMATIC DIAGRAM



IMPORTANT: When ordering, give Serial Number of Machine.