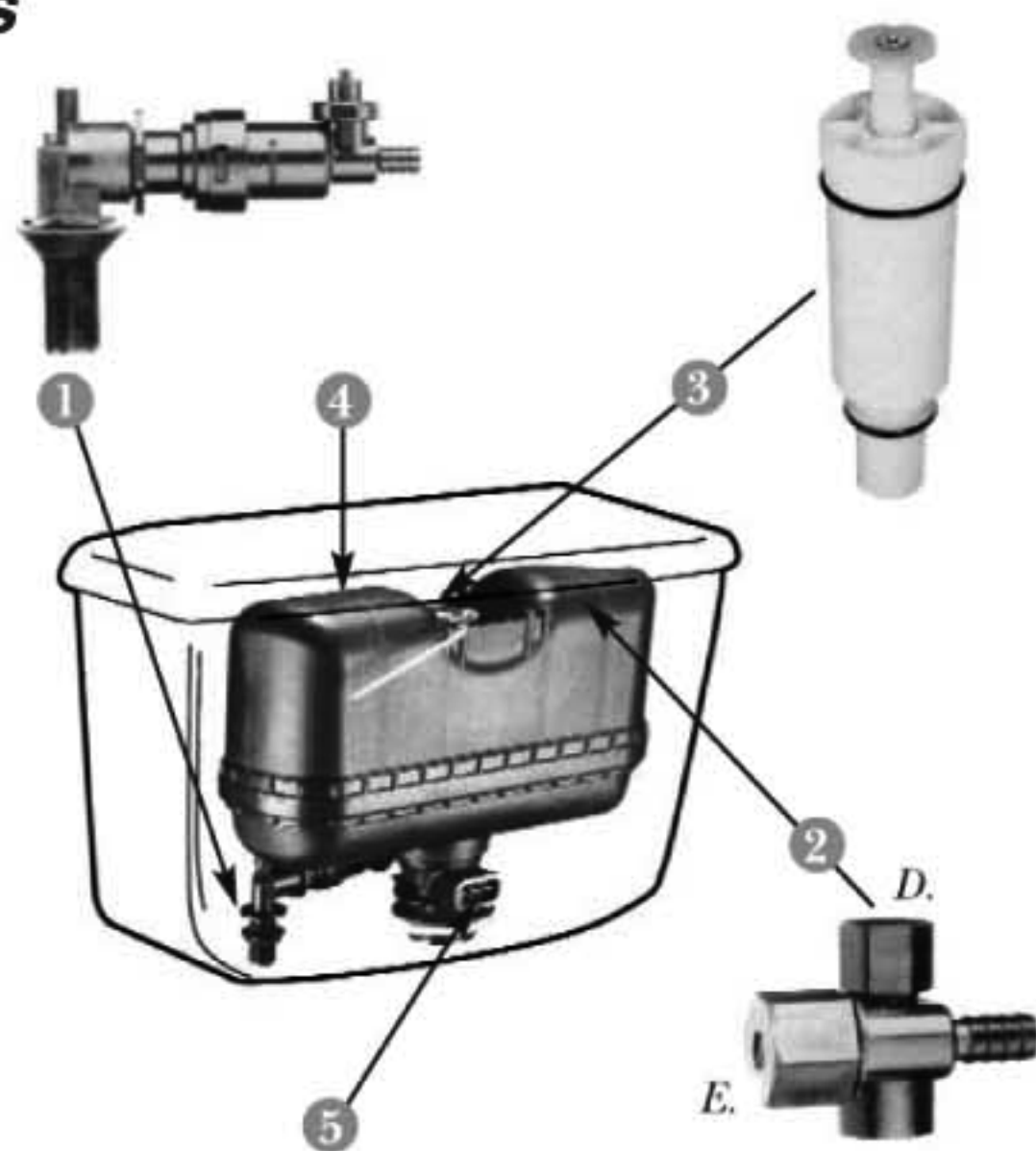


Warning: When servicing or replacing components, make certain that the water supply is turned OFF and the push button tripped to relieve pressure in the vessel.

Flushmate® 503 Series



List of Components for 503 Series

- | | |
|---|--------------------------------|
| 1. Lower Supply Group w/hose BL100504-3 | 4. Vessel |
| 2. Upper Supply Group BU100505
(D) Air Inducer
(E) Vacuum Breaker | 5. Discharge extension w/drain |
| 3. Flush valve cartridge assembly C-100500 | |

If you see the part or parts you believe you would like, please indicate the part numbers with the prefix WCI, on your email order form.



[Click here to e-mail our technicians with your problem](#)

[Click here to place your order](#)