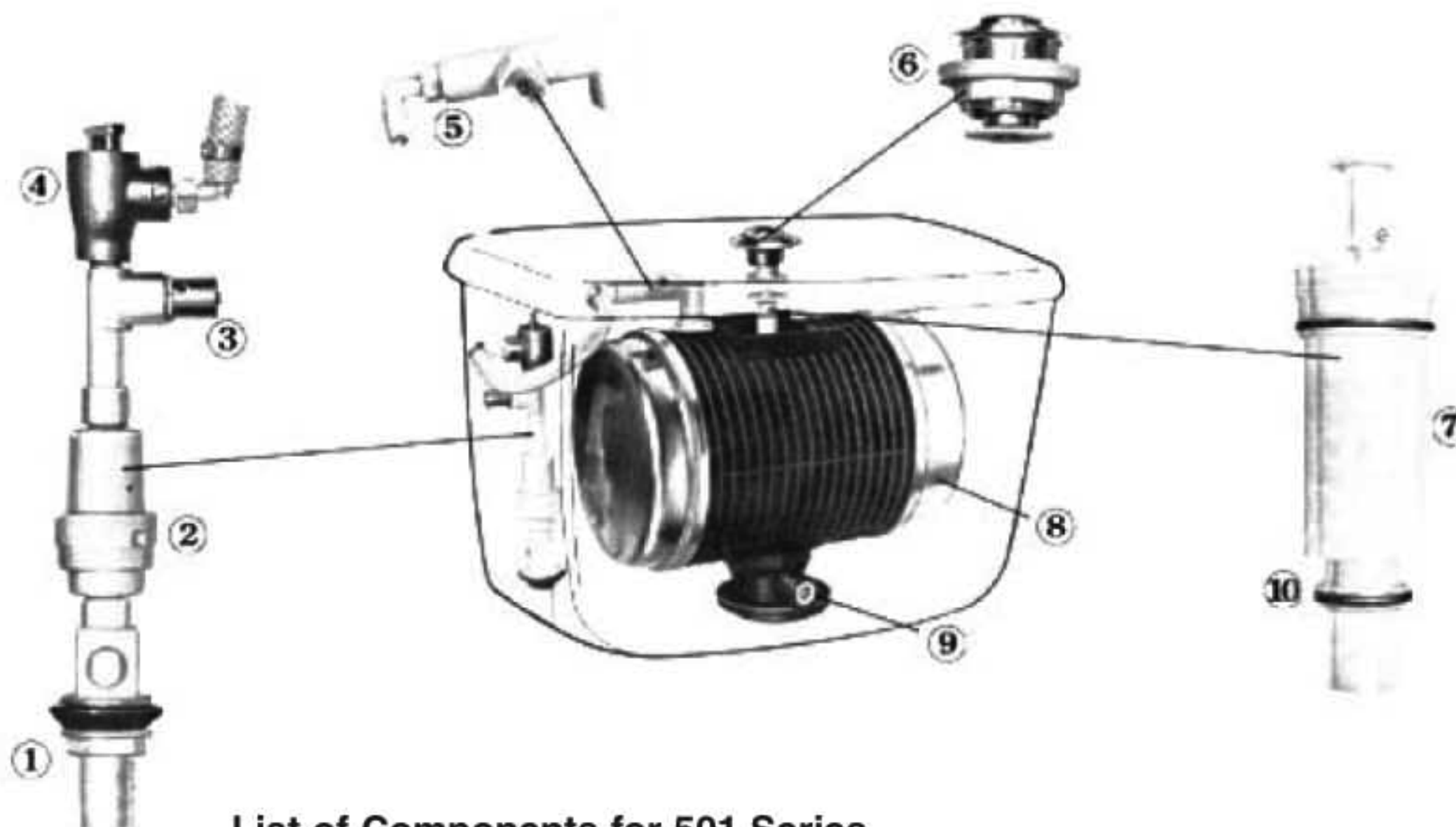


**Warning:** When servicing or replacing components, make certain that the water supply is turned OFF and the push button tripped to relieve pressure in the vessel.

## Flushmate® 501 Series



### List of Components for 501 Series

- |                            |  |
|----------------------------|--|
| 1. Shank with back check   | 6. Push Button Assembly                |
| 2. Pressure Regulator      | 7. Flush Cartridge Assembly (C-100500) |
| 3. Relief Valve            | 8. Vessel                              |
| 4. Vacuum Breaker          | 9. Discharge Extension with ballcheck  |
| 5. Air Inducer (BU-100501) | 10. O-Ring Cartridge (C121288)         |

*If you see the part or parts you believe you would like, please indicate the part numbers with the prefix WCI, on your email order form.*



[Click here to e-mail our technicians with your problem](#)

[Click here to place your order](#)