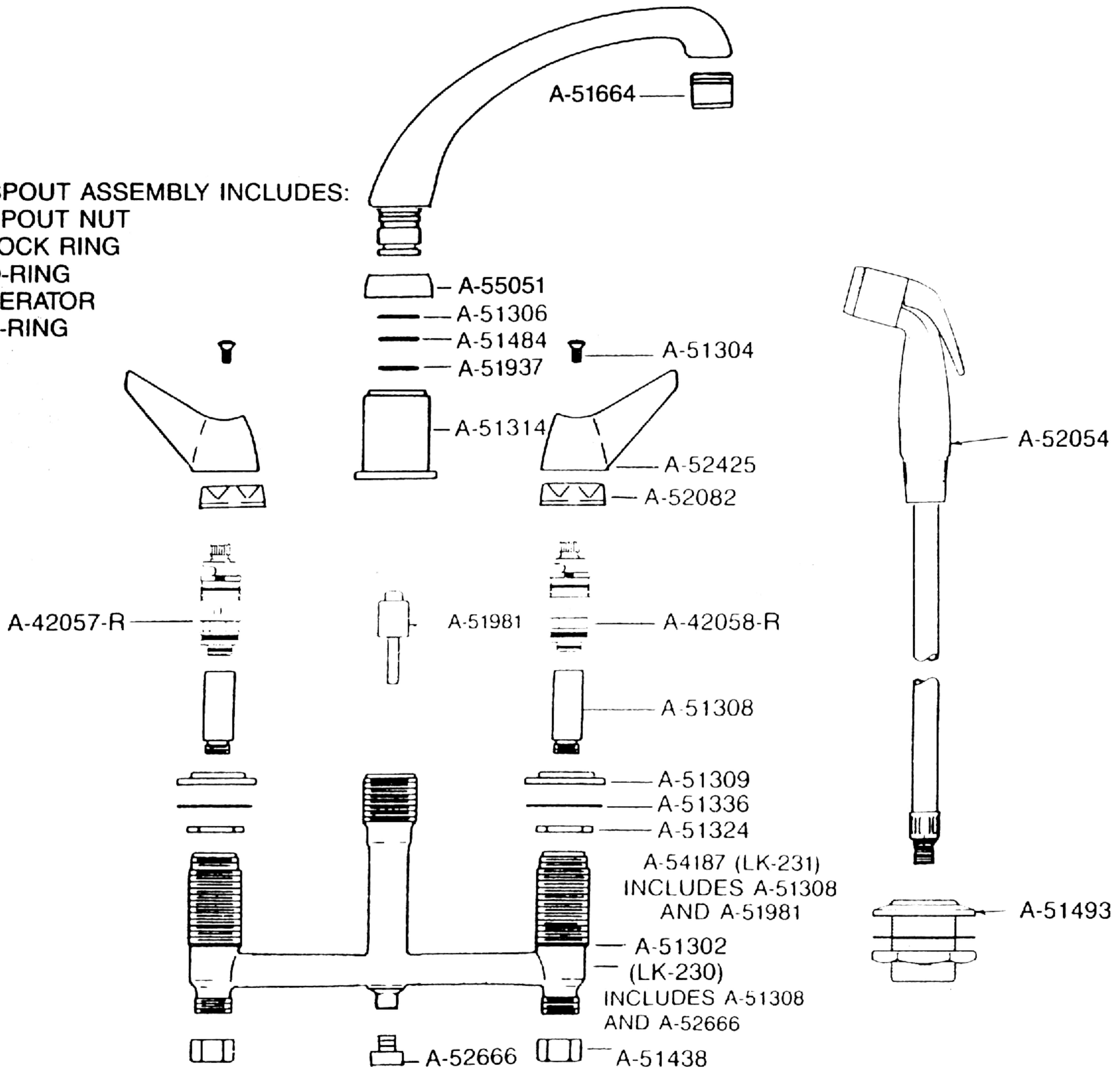


PARTS LIST

A-55052 SPOUT ASSEMBLY INCLUDES:
A-55051 SPOUT NUT
A-51306 LOCK RING
A-51484 O-RING
A-51664 AERATOR
A-51937 O-RING



PARTS FOR LK-230, LK-231

PART NUMBER	PART DESCRIPTION	PART NUMBER	PART DESCRIPTION
A-42057-R	Micracore—Hot	A-51336	Washer, Steel
A-42058-R	Micracore—Cold	A-51357	Aerator
A-51302	Body Assy. (Less Spray)	A-51438	Coupling Nut
A-51304	Handle, Screw (Self Tapping)	A-51484	Spout O-Ring
A-51306	Spout Lock Ring	A-51493	Hose Guide Assy. (Nest)
A-51308	Waterway Sleeve	A-51981	Diverter
A-51309	Locknut, Top	A-51937	Spout O-Ring
A-51314	Escutcheon, Center	A-52054	Spray Head & Hose Assy.
A-51324	Locknut, Bottom	A-52082	Cap
A-55051	Spout Nut	A-52425	Handle
A-55052	Spout Assembly Includes: A-55051 A-51306, A-51484, A-51664, A-51937	A-52666	Hex Plug
		A-54187	Body Assy. (With Spray)

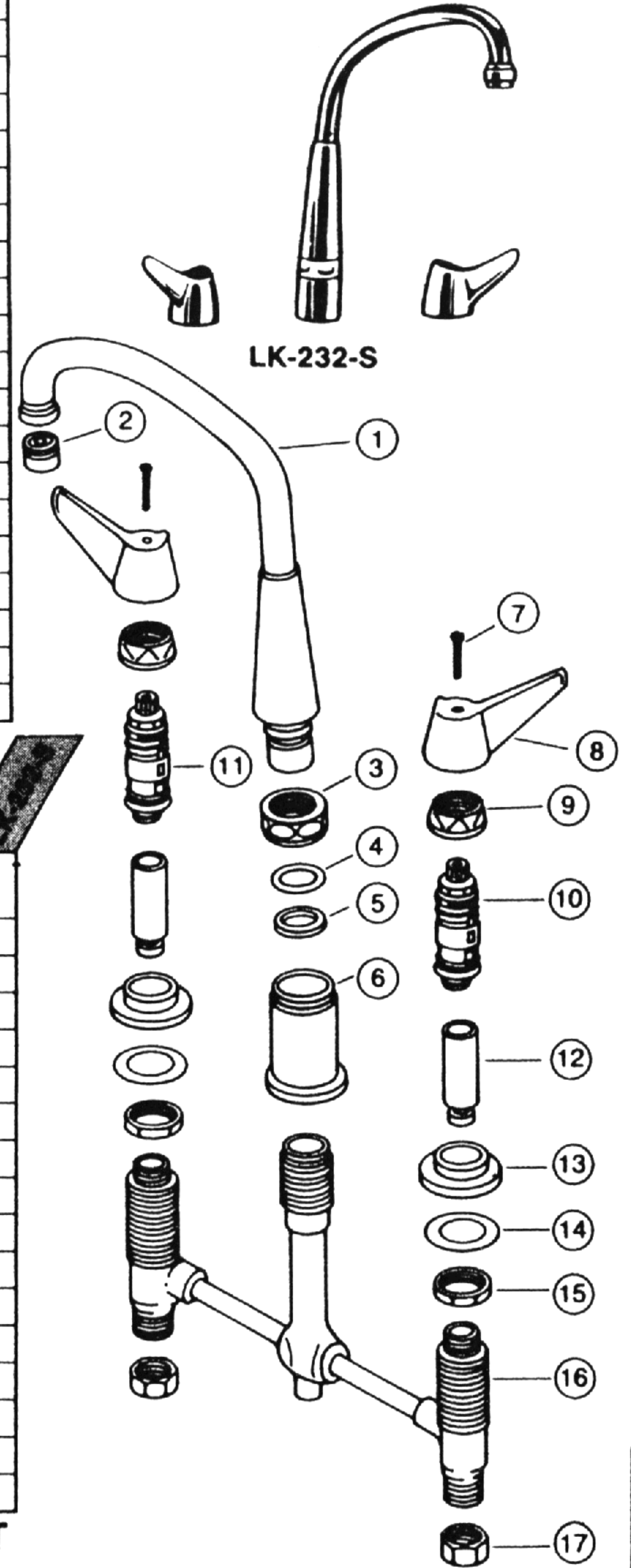
To order items on this page — full catalog number requires prefix



TWO HANDLE KITCHEN FAUCETS PART LIST

LK-230
LK-231
LK-232-S

Key	Part Description	Part Number	LK-230	LK-231
1	Spout (Includes A-51330, A-51306, A-51484, A-51357)	A-51344	•	•
2	Aerator	A-51357	•	•
3	Spout Nut	A-51330	•	•
4	Snap Ring	A-51306	•	•
5	"O" Ring	A-51484	•	•
6	Escutcheon	A-51314	•	•
7	Auto Spray Unit	A-51363		•
8	Auto Spray Unit	A-51366		•
9	Screw	A-51008	•	•
10	Handle	A-52425	•	•
11	Cap Nut	A-52082	•	•
12	Cartridge	A-52058-R	•	•
13	Cartridge	A-52057-R	•	•
14	Sleeve	A-51308	•	•
15	Locknut (Top)	A-51309	•	•
16	Washer	A-51336	•	•
17	Locknut	A-51324	•	•
18	Body Assembly	A-51316		•
19	Body Assembly	A-51302	•	
20	Coupling Nut	A-51438	•	•
21	Spray Nest	A-51493		•
22	Spray Head and Hose	A-52054		•



Key	Part Description	Part Number	LK-230
1	Spout (Includes A-51330, A-51306, A-51484, A-51357)	A-51369	•
2	Aerator	A-51357	•
3	Spout Nut	A-51330	•
4	Snap Ring	A-51306	•
5	"O" Ring	A-51484	•
6	Escutcheon	A-51314	•
7	Screw	A-51008	•
8	Handle	A-52425	•
9	Cap Nut	A-52082	•
10	Cartridge	A-52058-R	•
11	Cartridge	A-52057-R	•
12	Sleeve	A-51308	•
13	Locknut (Top)	A-51309	•
14	Washer	A-51336	•
15	Locknut	A-51324	•
16	Body Assembly	A-51323	•
17	Coupling Nut	A-51438	

TWO HANDLE FAUCETS PARTS LIST BAR

LKA-2447 LKA-2448

Key	Part Description	Part Number	LKA-2447	LKA-2448
1	Spout Includes (A-51357, A-52656, A-52657, A-51861)	A-52722	•	
2	Spout Includes (A-51357, A-52656, A-52657, A-51861)	A-52817		•
3	Aerator	A-51357	•	•
4	Spout Nut	A-52656	•	•
5	Bearing	A-52657	•	•
6	"O" Ring	A-51861	•	•
7	Button "Hot"	A-52834	•	•
8	Button "Cold"	A-52835	•	•
9	Screw	A-51951	•	•
10	Handle	A-52279	•	•
11	Cap Nut	A-51845	•	•
12	Cartridge	A-51947-R	•(2)	•(2)
13	Nut	A-52062	•	•
14	Escutcheon	A-51846	•	•
15	Waterway	A-52643	•	•
16	Mounting Hardware	A-52060	•	•

