

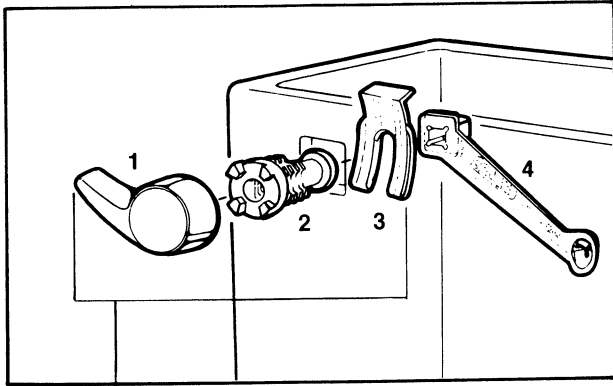
To order items on this page — full catalog number requires prefix

Touch-Flush Assembly

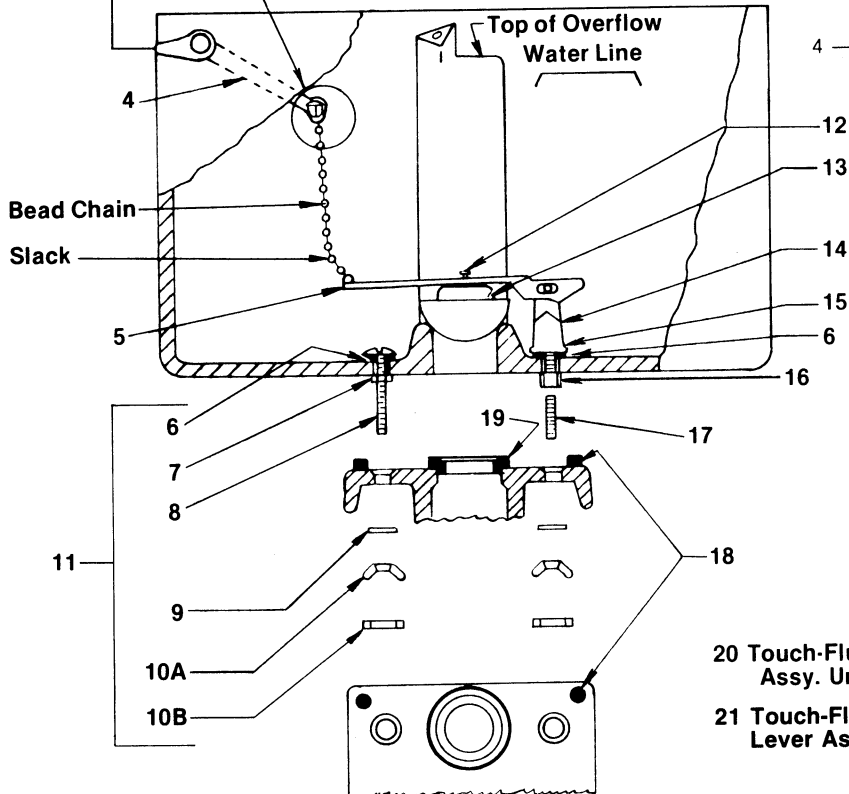
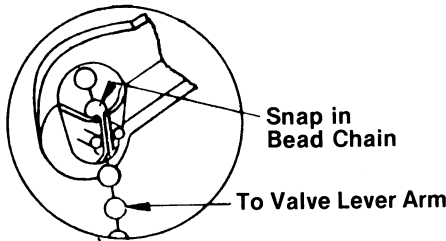
ELJER

Closet Tank Fittings

Close-Coupled Tanks
with Integral Overflow and Touch-Flush



Item No.	Part No.	Description
1	490-6200-00	Handle
2	490-6202-00	Bushing
3	490-6203-00	Clip
4	490-6199-00	Tank lever (4")
5	490-6508-00	Lever arm w/bead chain
+ *6	490-4331-00	Rubber washer
+ *7	490-1349-00	Brass hex nut
+ *8	490-6639-00	Bolt
+ *9	490-4330-00	Washer
+ *10A	490-6640-00	Wing nut (see note 3)
+ *10B	490-7167-00	Brass hex nut
11	490-6396-00	Tank bolt assembly
12	490-6511-00	Tank ball screw
13	490-4332-00	Tank ball
14	490-6505-00	Bracket
15	490-6504-00	Bolt
16	490-6171-00	Nut
17	490-6510-00	All thread stud
18	490-4334-00	Leveling rubber
19	490-4333-00	Inlet gasket
20	490-6512-00	Touch flush assy. unit includes Items: 1, 2, 3, 4, 5, 6, 12, 13 & 14.
21	490-6206-00	Touch-flush tank lever assy. Includes items 1, 2, 3, & 4.



* = not available
+ * = not available see note
Note: 1 — Item 7 specify 490-1068-00.
2 — Items 6, 8, 9 & 10A specify 490-6396-00 tank bolt assy.
3 — Item 10A has been identified on past repair part information as 490-6630-00 (incorrect number) specify 490-6640-00
4 — Item 10B specify Item 10A.

20 Touch-Flush Assy. Unit
21 Touch-Flush Tank Lever Assy.