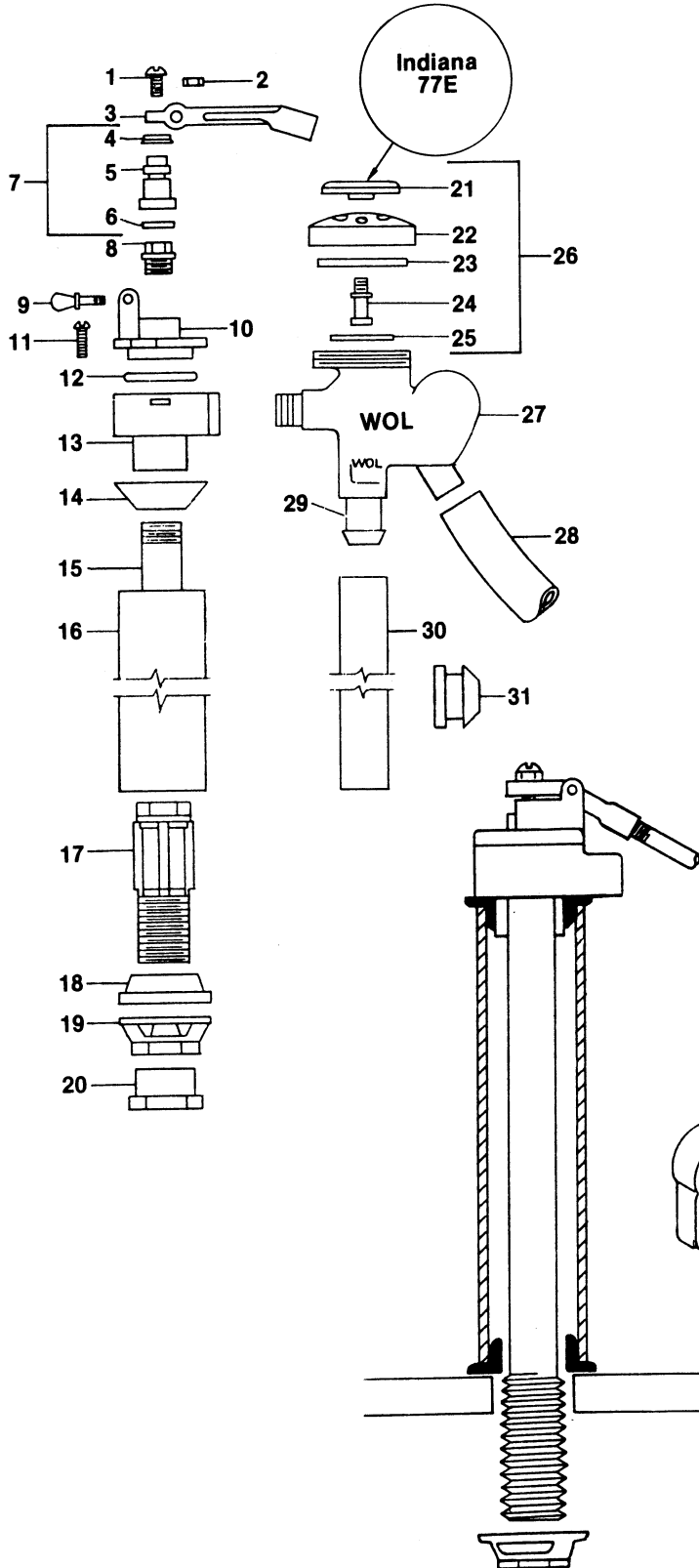


To order items on this page — full catalog number requires prefix

Closet Tank Fittings

Anti-Siphon Float Valve Low Tank
One Piece Watersaver Closet Combination (Silette)

Parts list for fittings number: 495-0230-00



Item No.	Eljer Part No.	Supplier Part No.	Description
1	480-0600-00	78-N	Screw
2	480-0601-00	78-S	Hex nut
3	480-0602-00	78-G	Lever
4	480-0603-00	78-R	Cup washer
+ 5	—	78-E ²	Plunger
6	480-0147-00	68-V	Plunger disc
7	480-0604-00	—	Plunger assy.
8	480-0168-00	79-S	Nylon seat
9	480-0177-00	81-J	Thumb screw
10	480-0605-00	77-T	Cap
11	480-0606-00	97-S	Screw (2 req'd)
12	480-0607-00	78-Q	"O" ring #124
*13	—	78-A	Body
14	480-0146-00	50-K	Rubber washer
*15	—	78-B	Body tube (5 3/4" x .675 dia.)
*16	—	78-B-2	Shield tube (6 3/4" x 1.66 dia.)
*17	—	78-C	Shank
*18	—	78-I ²	Rubber washer w/insert
19	480-0608-00	78-L	Nut
20	480-0140-00	50-M	Coupling nut (brass)
+ 21	—	77-TE	Cap shield
+ 22	480-0163-00	79-W	Vent body cap
23	480-0164-00	79-X	Rubber seal
+ 24	480-0165-00	79-M	Cap pin
25	480-0166-00	97-Y	Rubber washer
26	480-0609-00	—	Vent body cap assy.
*27	—	79-V ⁴	Vent body
28	480-0149-00	79-PE ²	Rim supply tube (1/2" x 3/4" x 4" long)
*29	—	79-N ³	Husher tube connection
30	480-0610-00	78-DE	Husher tube (8 1/2" x 3/4" dia.)
31	480-0611-00	79-R ²	Rim seal

* = not available, order complete new valve

+ * = not available, see note

Note: 1 — Item 5 specify Item 7

2 — Items 21, 22 & 24 specify Item 26

3 — Some parts will be shipped as subassemblies with other mating parts

