

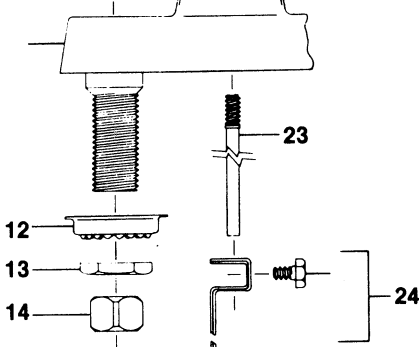
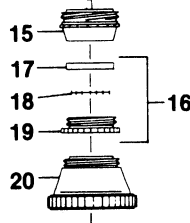
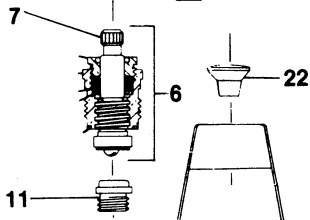
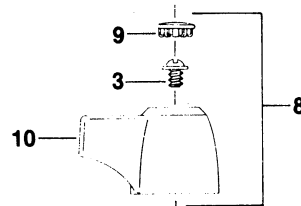
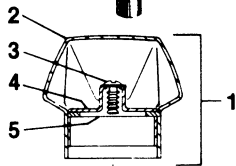
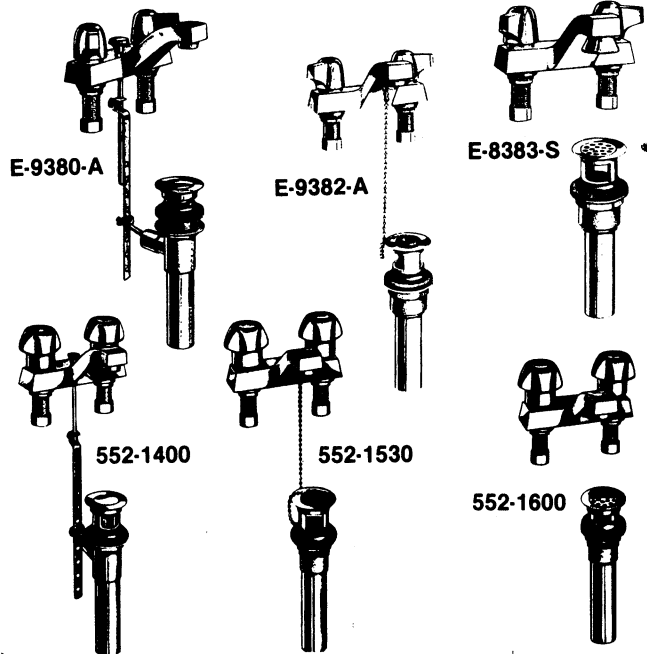
To order items on this page — full catalog number requires prefix

ELJER

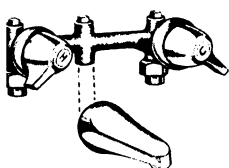
Lifetime And Ultima

Centerset Lavatory Fittings

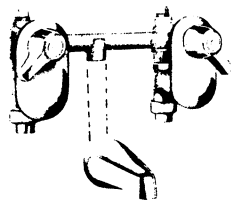
Parts list for fittings number: 552-1400 552-1500 552-1530 552-1600 552-1660 552-1680 552-1683
 (Lifetime Disc. 3/69) (E-9380) (E-9381) (E-9382) (E-9383) (E-9383-S) 552-1681 552-1684



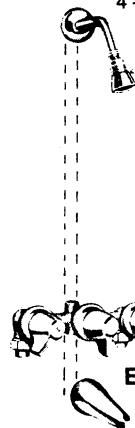
25-Waste Units



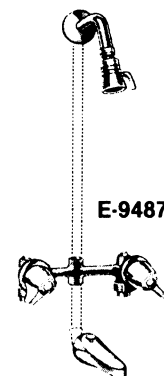
E-9420



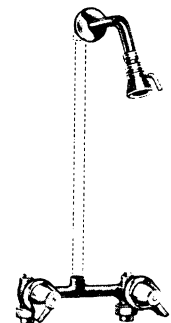
E-9421



E-9482



E-9487



E-9493

Item No.	Part No.	Description
1A	490-6671-01	C.P. handle assembly "H"
1B	490-6671-02	C.P. handle assembly "C"
1C	490-8096-01	Translucent handle assy. "H" (not shown)
1D	490-8096-02	Translucent handle assy. "C" (not shown)
2A	490-6673-01	Handle only "H"
2B	490-6673-02	Handle only "C"
3	490-2965-00	Screw
4	490-6674-00	Adapter
5	490-6675-00	Retainer
+ *6A	490-8105-02	Stem unit, RH Thd. for Items 1A, 1B, 1C, 1D and 8A
+ *6B	490-8105-01	Stem unit LH Thd. for Item 8B
7A	490-6541-02	Stem assy. RH Thd. for Items 1A, 1B, 1C, 1D and 8A
7B	490-6541-01	Stem assy. LH Thd. for Item 8B
8A	490-6375-01	Handle assy. "H"
8B	490-6376-02	Handle assy. "C"
9A	490-3469-01	Index button "H"
9B	490-3469-02	Index button "C"
+ *10	490-5864-00	Handle only
11	490-2734-00	Seat
12	490-8050-00	Washer
13	490-2272-00	Locknut
14	490-1305-00	Coupling nut
15	490-5669-00	Aerator
16	490-6292-00	Nozzle assy.
17	490-4681-00	Gasket
18	490-4711-00	Screen (2-req'd.)
+ *19	490-6490-00	Nozzle
20	490-6452-00	Spray head assy.
+ *21	490-6415-00	Knob
+ *22	490-8259-00	Knob
+ *23	490-6253-00	Knob rod
24	490-6398-00	Bracket and screw assy.
25A	490-6214-00	Pop-up waste unit (see LW-3A)
25B	490-6334-00	Pop-up waste unit (see LW-3A)
25C	490-6855-00	Pop-up waste unit (see LW-4)
25D	For C.P. drain plug waste (see LW-6B)	
25E	490-8768-00	Pop-up waste assembly (includes items 22, 23, & 24) See LW-8

For additional information on component parts of units and assemblies, or identification of parts, see accessory section.

* = not available

+ * = not available, see note

Note: 1 — Item 10, specify Item 8A or 8B as req'd.

2 — Item 19, specify Item 16.

3 — Items 21, 22 & 23, specify 490-6942-00.

4 — Items 6A & 6B specify 490-8051-02 R.H. or 490-8051-01 L.H. as req'd.