

To order items on this page — full catalog number requires prefix

**ELJER**

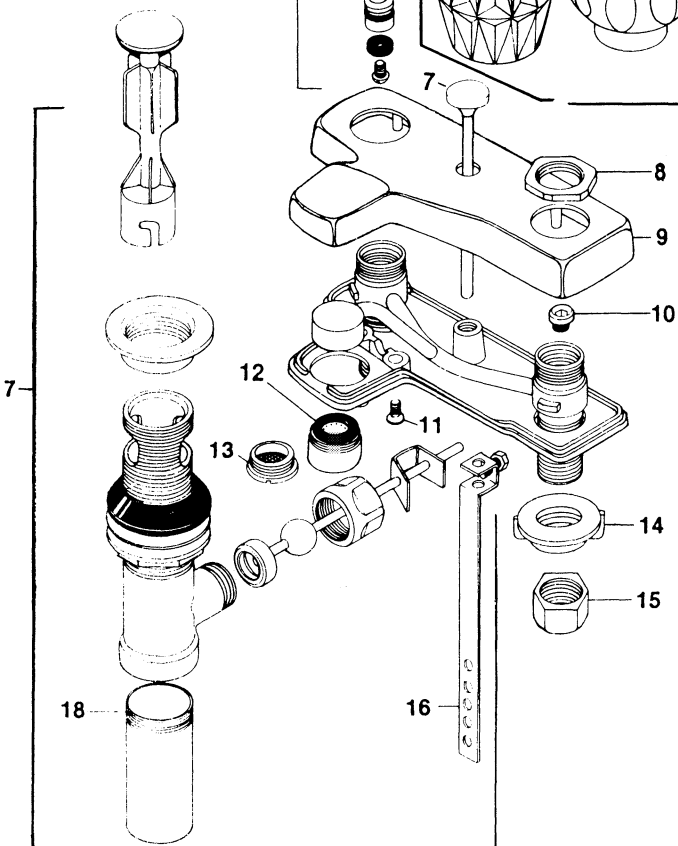
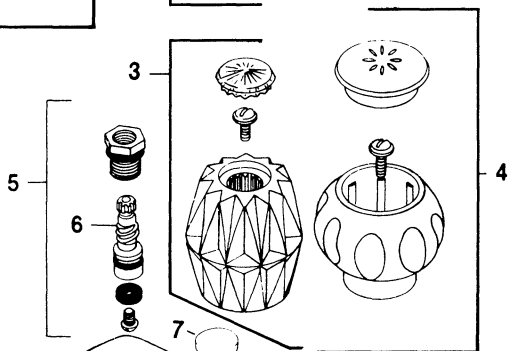
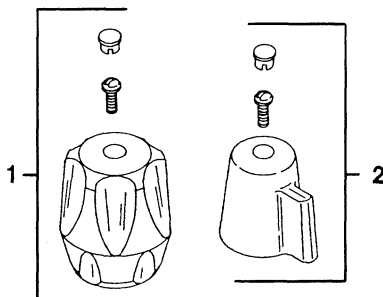
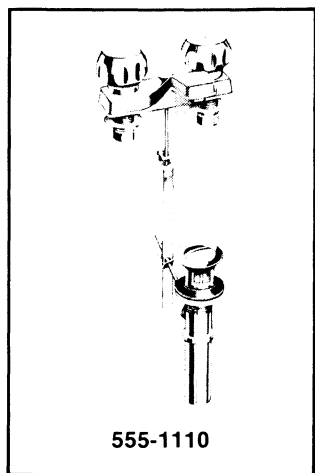
**Regata**

**Centerset Lavatory Fittings**

Parts list for fittings number:

|             |             |             |             |          |          |          |
|-------------|-------------|-------------|-------------|----------|----------|----------|
| 555-1100-00 | 555-1130-00 | 555-1111-00 | 555-1203-00 | 555-2100 | 555-3100 | 555-4100 |
| 555-1101-00 | 555-1131-00 | 555-1113-00 | 555-1210-00 | 555-2110 | 555-3110 | 555-4110 |
| 555-1103-00 | 555-1200-00 | 555-1120-00 | 555-1211-00 | 555-2200 | 555-3200 | 555-4200 |
| 555-1110-00 | 555-1201-00 | 555-1121-00 | 555-1213-00 | 555-2210 | 555-3210 | 555-4210 |

**Note:** Fitting with 16 point broach, handle & stem units disc. 12/81. Identify fittings with 12 point broach by integral broach in handle, or handle less broach insert.



| Item No. | Part No.    | Description   |
|----------|-------------|---|
| 1        | 490-9068    | Translucent handle assy. — small (hot or cold)                                |
| 2A       | 490-9069    | Blade handle assy., C.P. — acrylic (hot or cold)                              |
| 2B       | 490-9070    | Blade handle assy., C.P. — metal (hot or cold)                                |
| 3A       | 490-7175-00 | Translucent handle assy. (hot or cold) 16 point, disc.                        |
| 3B       | 490-7406-00 | Translucent handle assy. (hot or cold) 12 point, disc.                        |
| 4A       | 490-6971-00 | Handle assy. w/C.P. cap, (hot or cold) 16 point, disc.                        |
| +*4B     | 490-6972-00 | Handle assy. w/translucent cap (hot or cold) 16 point, disc.                  |
| 4C       | 490-7408-00 | Handle assy. w/c.p. cap (hot or cold) 12 point, disc.                         |
| 5A       | 490-6939-02 | Stem unit, RH Thd. (hot or cold) for C.P. handle ftgs. 16 point, disc         |
| +*5B     | 490-6939-03 | Stem unit, RH Thd. (hot or cold) for translucent handle ftgs. 16 point, disc. |
| 5C       | 490-7430-01 | Stem unit L.H. (cold for blade handle)  |
| 5D       | 490-7430-02 | Stem unit R.H. (hot and cold for translucent handle, hot for blade handle)    |
| +*5E     | 490-7430-03 | Stem unit RH Thd. (hot or cold) for translucent handle ftgs., 12 point        |
| 6A       | 490-5286-02 | Stem assembly, 16 point, disc.  |
| 6B       | 490-7422-01 | Stem assembly, L.H.   |
| 6C       | 490-7422-02 | Stem assembly, R.H.   |
| 7        | 490-6942-00 | Pop-up rod assy.  |
| 8        | 490-6937-00 | Locknut   |
| 9A       | 490-7195-00 | Cover (less pop-up rod)   |
| 9B       | 490-6910-00 | Cover (w/pop-up rod)  |
| 10       | 490-6464-00 | Seat  |
| 11       | 490-7194-00 | Screw   |
| 12       | 490-5669-00 | Aerator   |
| 13       | 490-7014-00 | Stream guide assy.  |
| 14       | 490-7730-00 | Locknut (see note #1)   |
| 15       | 490-1305-00 | Coupling nut  |
| 16       | 490-6398-00 | Bracket and screw assy. (see note #2)   |
| 17A      | 490-6827-00 | Pop-up waste unit disc. 12/81   |
| 17B      | 490-8768-00 | Pop-up waste assembly (includes items 5, 14, & 16) disc. 9/84                 |
| 17C      | 490-8905-00 | Pop-up waste assembly (includes items 5, 14 & 16)                             |
| 18       | 490-1035-01 | Tailpiece   |

\* = not available  
 +\* = not available, see note  
**Note:** 1 - Item 14 replaces 490-2557-00 washer and 490-5292-00 locknut  
 2 - Item 16 replaces 490-7085 plastic bracket and screw assy.  
 3 - Item 2B specify item 2A  
 4 - Item 5B specify 5A, Item 5E specify 5D