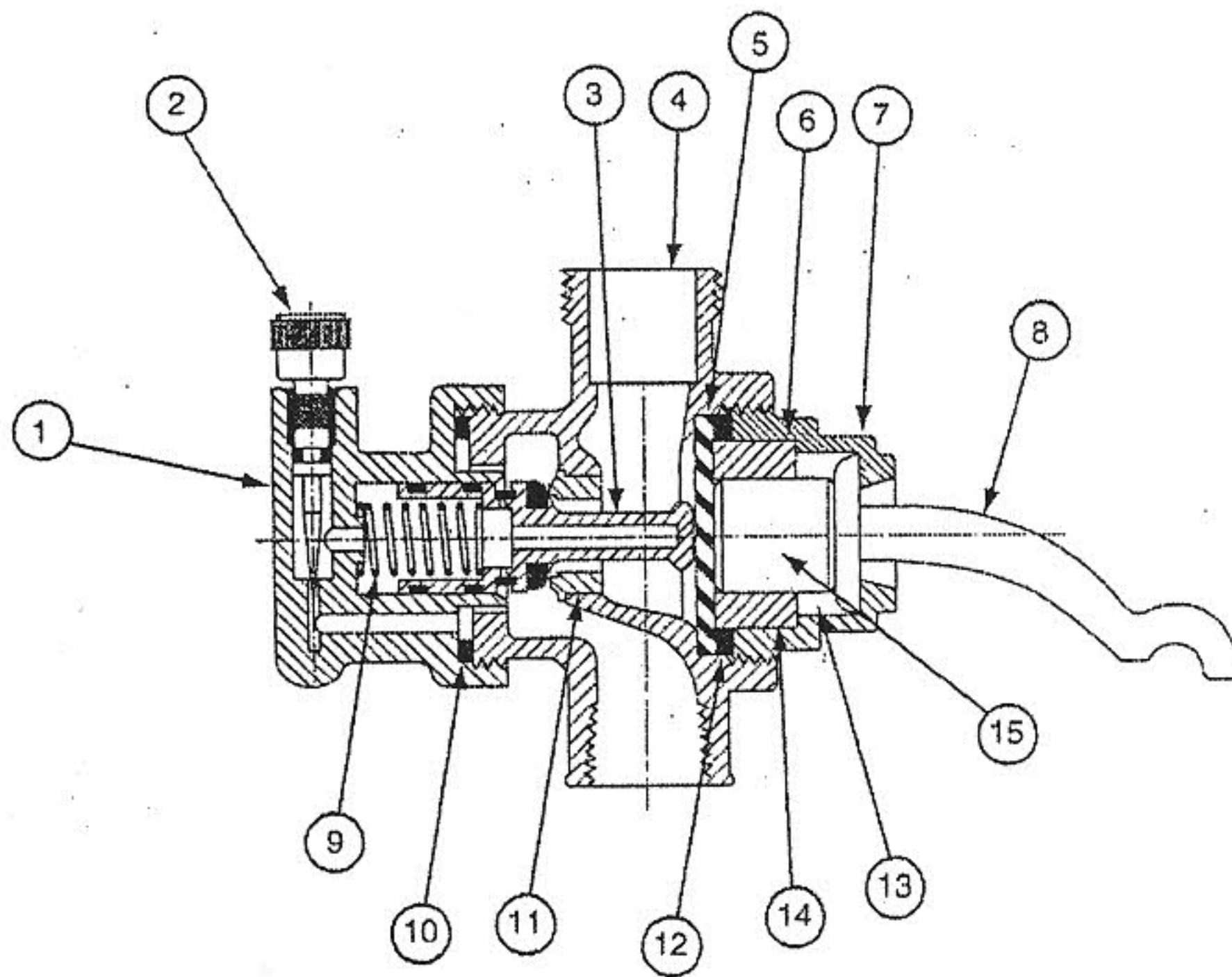




Foot Valve (Nov. 1973 to Jan. 2003)



Parts List S07-015 Foot Valve

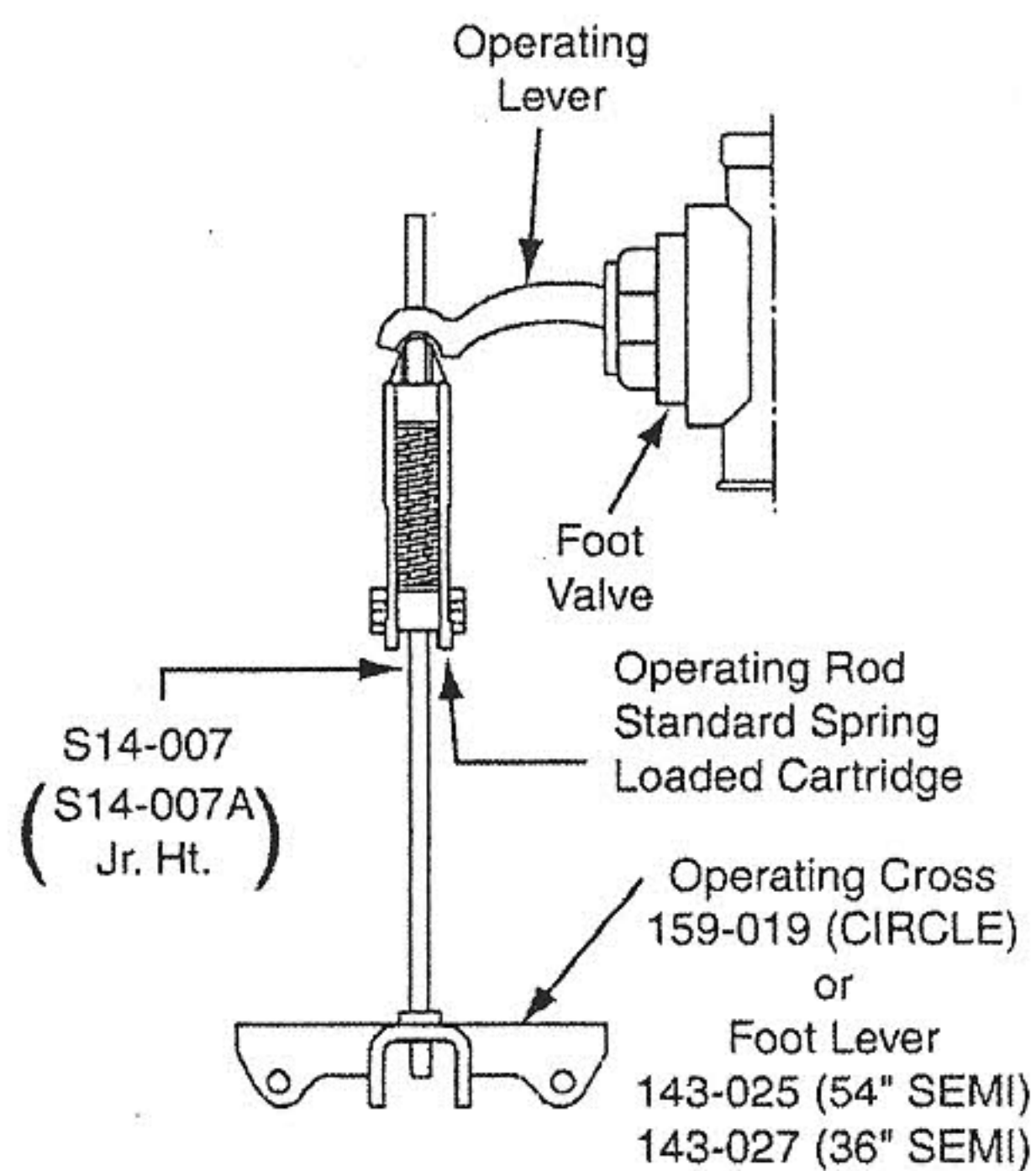
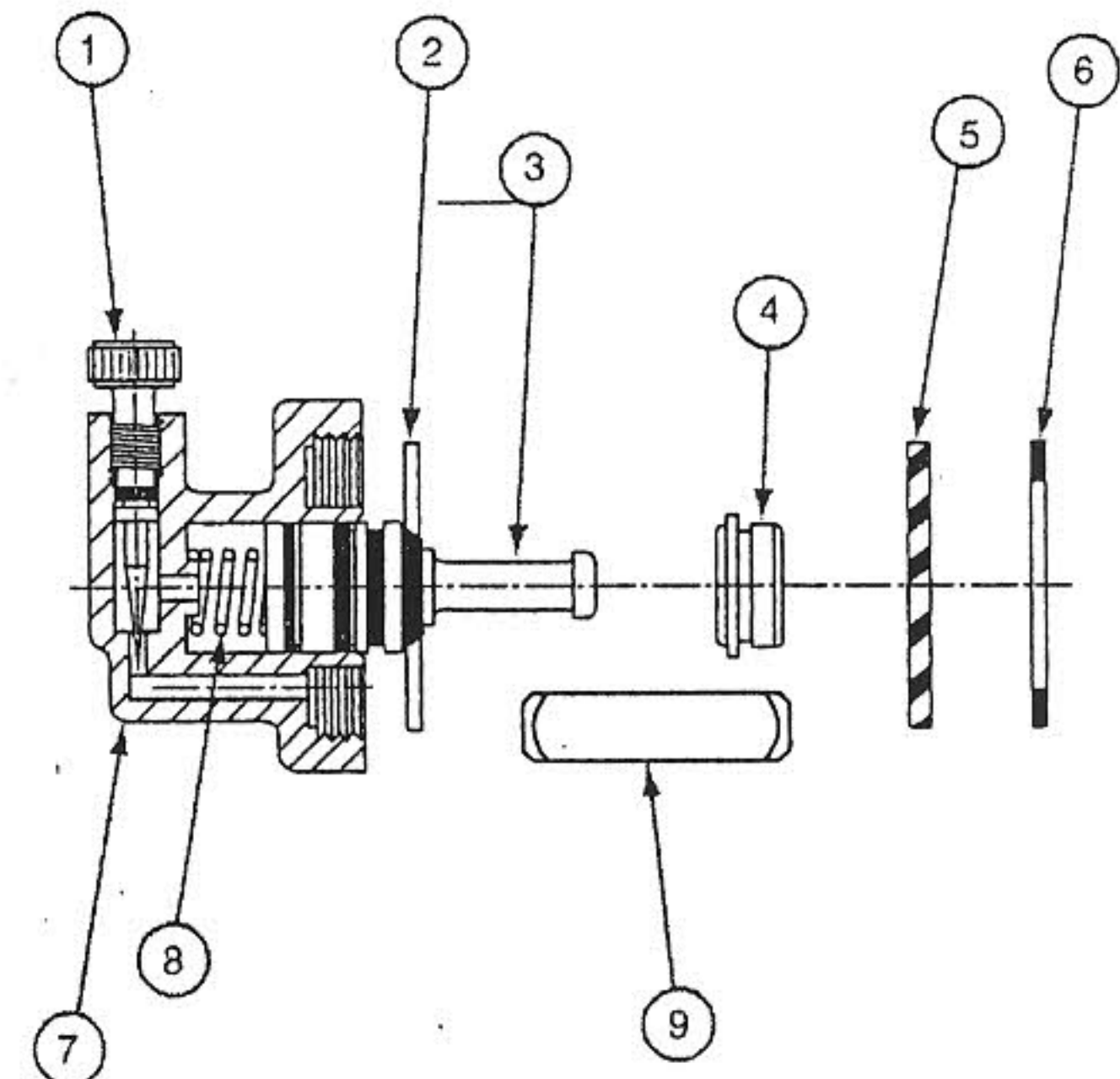
Item	Part No.	Qty	Description
1	110-095	1	Body-Needle Valve
2	S21-027	1	Needle Assembly
3	S64-006	1	Valve Plunger Assembly
*4	118-021	1	Valve Body (No longer available)
5	125-001Y	1	Diaphragm
6	179-002	1	Plunger Guide
7	110-101	1	Bottom Nut
8	143-026	1	Operating Lever
9	135-001P	1	Spring
10	125-001BW	1	Gasket
11	117-016	1	Renewable Valve Seat
12	124-001V	1	Washer Black Phenolic
13	119-024	1	Operating Plunger
14	179-002	1	Plunger Guide
15	119-024	1	Plunger

* Valve body no longer available, replace with S07-066 (Complete Valve)

Parts List S65-001A Foot Valve Repair Kit

Item	Part No.	Qty	Description
1	S21-027	1	Needle Assembly
2	125-001BW	1	Gasket
3	S64-006	1	Valve Plunger Assembly
4	117-016	1	Valve Seat
5	125-001Y	1	Diaphragm
6	124-001V	1	Fiber Washer
7	110-095	1	Body-Needle Valve
8	135-001P	1	Spring
9	130-033	1	Key-Valve Seat

Repairs All Foot Valves Furnished Since April 1943 to Jan. 2003.



Foot Valve Linkage

For normal operation using the standard operating rod assembly, the spring loaded cartridge should be adjusted so there is no play in the operating lever. Care must be taken to insure that a snug fit is achieved without engaging the operating lever, or water will leak from the sprayhead.