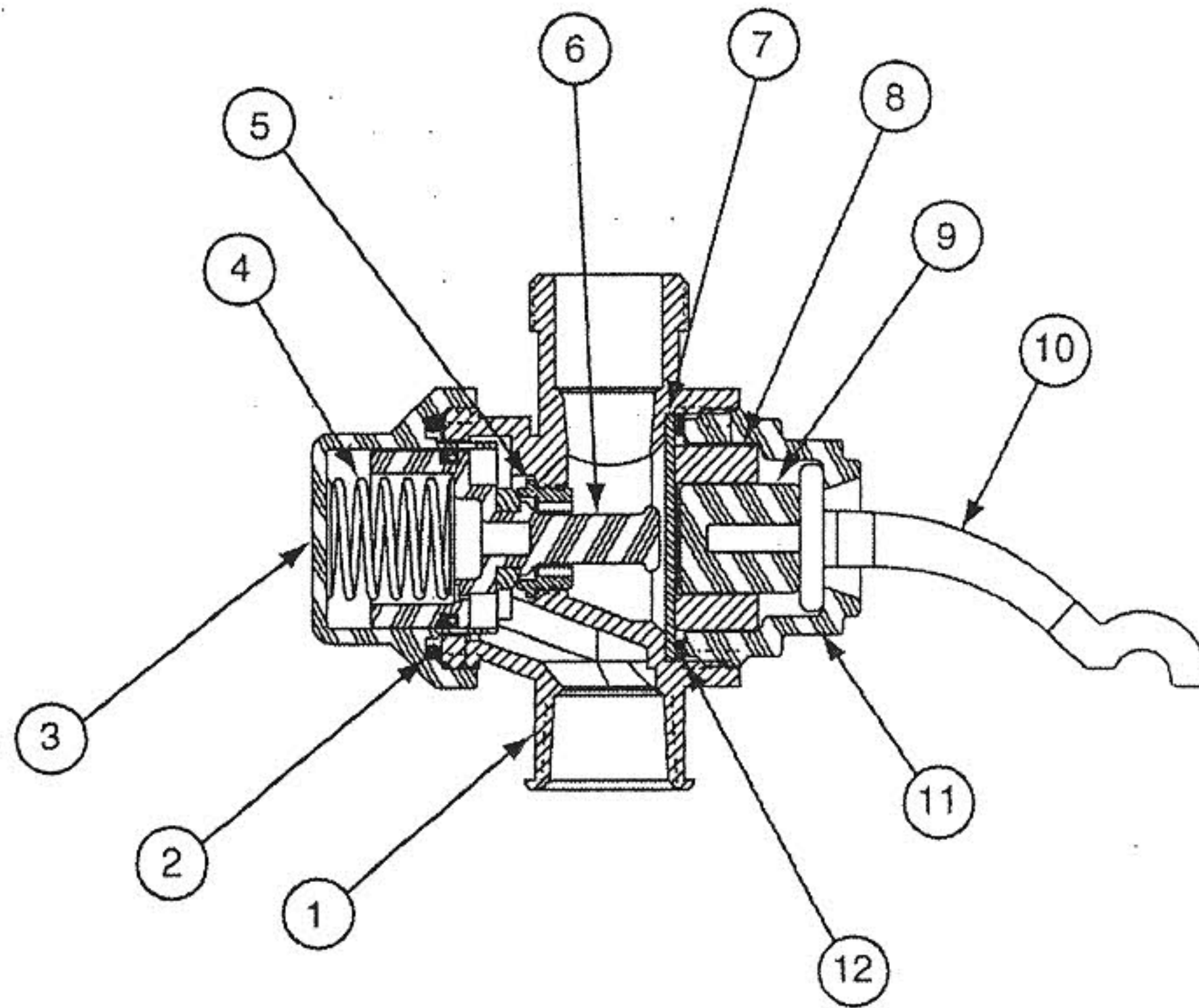




Foot Valve (Jan. 2003 to present)



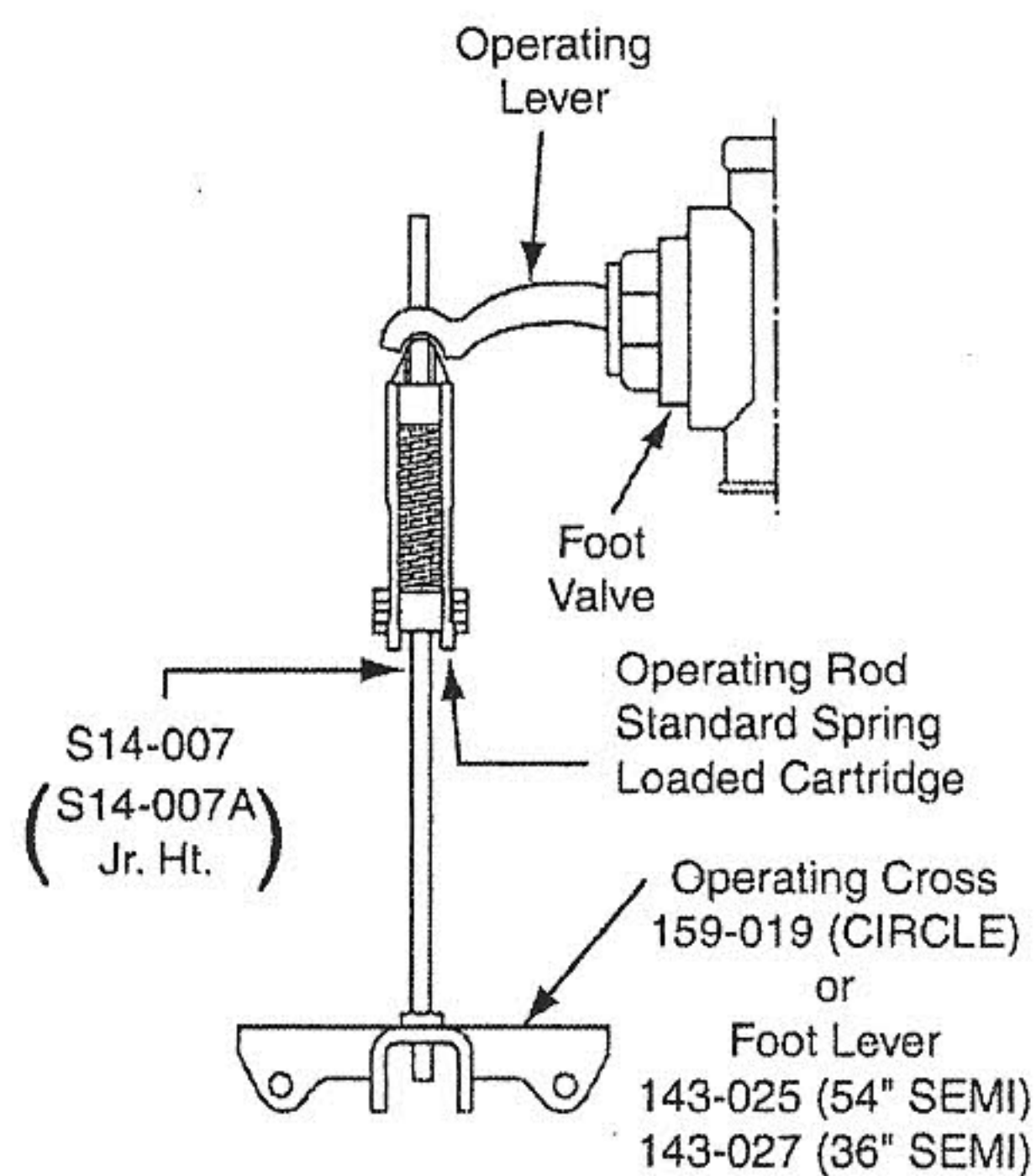
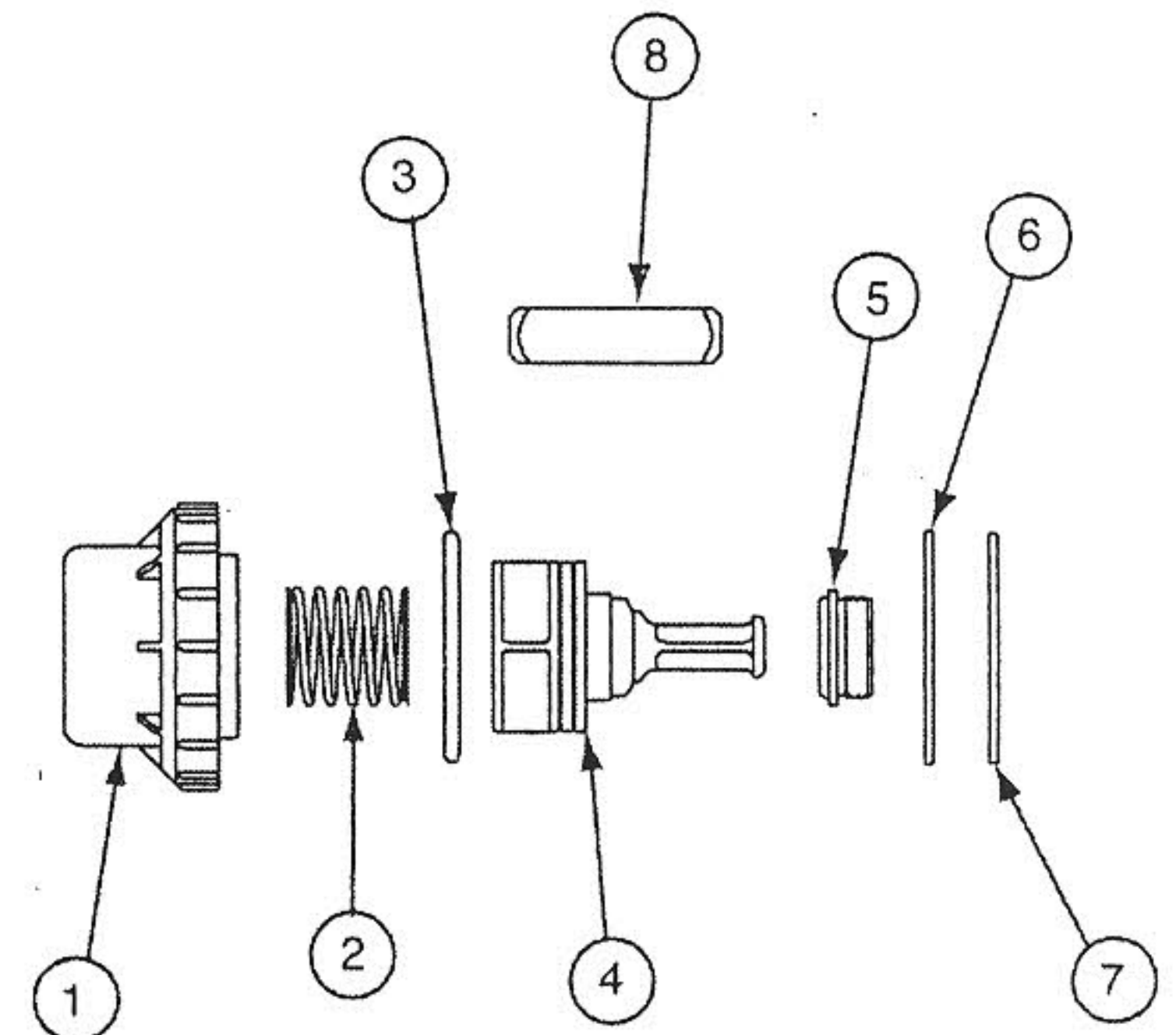
Parts List S07-066 Foot Valve

Item	Part No.	Qty	Description
1	118-302	1	Foot Valve Body
2	125-154	1	O-Ring
3	118-300	1	Foot Valve Cover (blue)
4	135-088	1	Spring
5	117-016	1	Valve Seat
6	S64-093	1	Plunger Assembly
7	125-001Y	1	Diaphragm
8	179-002	1	Plunger Guide
9	119-024	1	Plunger
10	143-026	1	Operating Lever
11	110-101	1	Bottom Nut
12	124-001V	1	Washer - Black Phenolic

NOTE: This valve can be identified by the color of Item 3.

Parts List S65-230 Foot Valve Repair Kit

Item	Part No.	Qty	Description
1	118-300	1	Foot Valve Cover
2	135-088	1	Spring
3	125-154	1	O-Ring
4	S64-093	1	Plunger Assembly
5	117-016	1	Valve Seat
6	125-001Y	1	Diaphragm
7	124-001V	1	Washer - Black Phenolic
8	130-033	1	Key-Valve Seat
9	S45-125	1	Lubricant (not shown)



Foot Valve Linkage

For normal operation using the standard operating rod assembly, the spring loaded cartridge should be adjusted so there is no play in the operating lever. Care must be taken to insure that a snug fit is achieved without engaging the operating lever, or water will leak from the sprayhead.